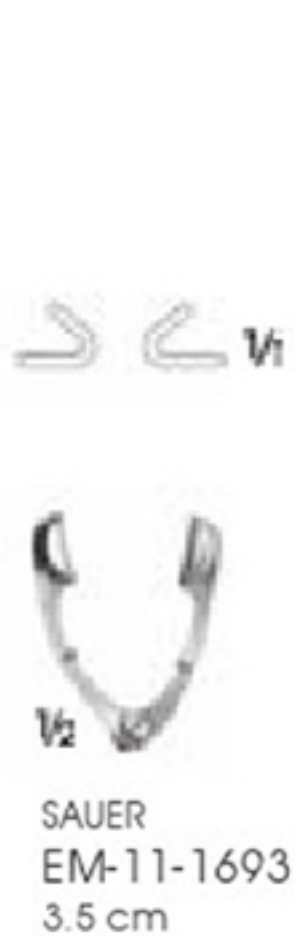
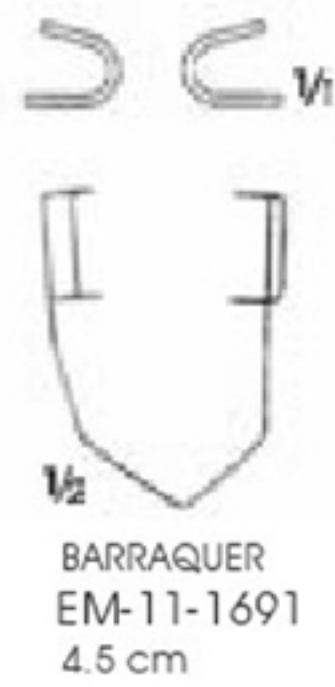




Self Retaining Retractors

Selbsthaltende Retraktoren





FINSEN
 EM-11-1698
 7.5 cm



FINSEN
 EM-11-1699
 7 cm



EM-11-1700-01
 Blunt 10 cm



EM-11-1700-02
 Sharp
 10 cm



ALM
 EM-11-1701-01 7 cm
 EM-11-1701-02 10 cm



EM-11-1702
 Self-retaining retractor
 12 cm



ALLPORT
 EM-11-1703
 9.5 cm



JANSEN
 EM-11-1704 Sharp
 10 cm



JANSEN
 EM-11-1705
 10 cm



JANSEN
 EM-11-1706
 10 cm



WEITLANER
EM-11-1707 Sharp
11 cm



WEITLANER
EM-11-1708 Blunt
11 cm



WEITLANER
EM-11-1709 Semi-sharp
11 cm



WEITLANER
EM-11-1710 Sharp
13 cm



WEITLANER
EM-11-1711 Blunt
13 cm



WEITLANER
EM-11-1712 Semi-sharp
13 cm



WEITLANER
EM-11-1713 Sharp
13 cm



WEITLANER
EM-11-1714 Blunt
13 cm



WEITLANER
EM-11-1715 Sharp
16.5 cm



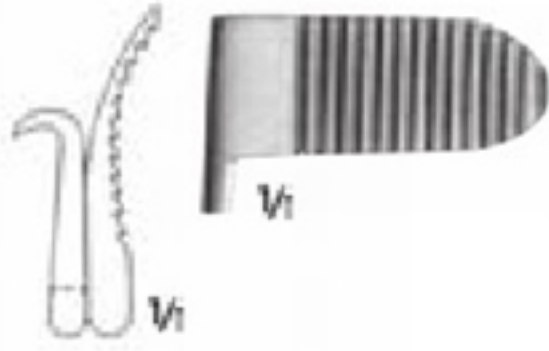
WEITLANER
EM-11-1716 Blunt
16.5 cm



WEITLANER
EM-11-1717 Semi-sharp
16.5 cm



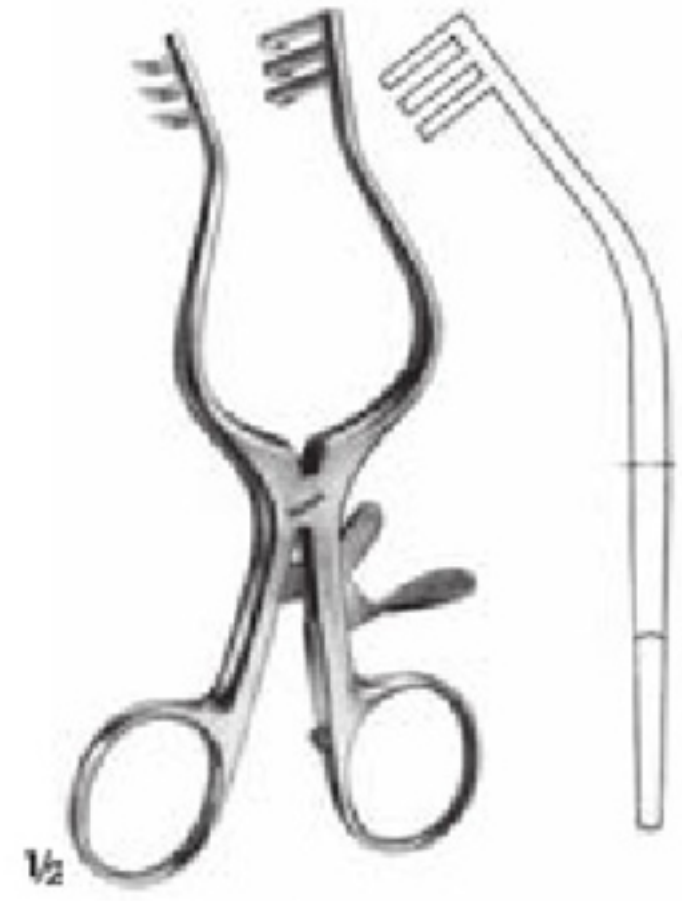
MOLLISON
EM-11-1718 Sharp
15.5 cm



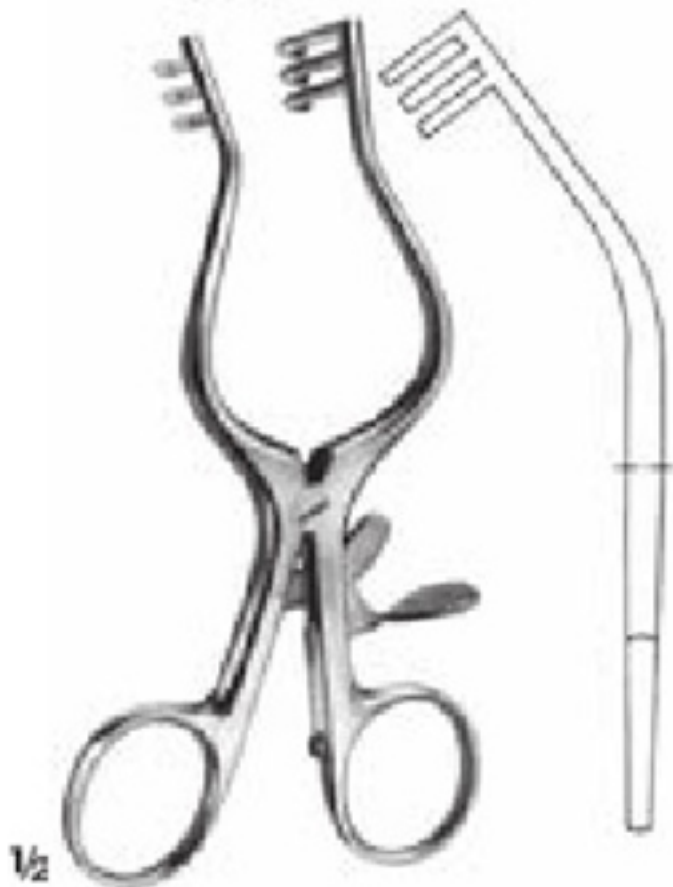
PERKINS
EM-11-1719
13 cm



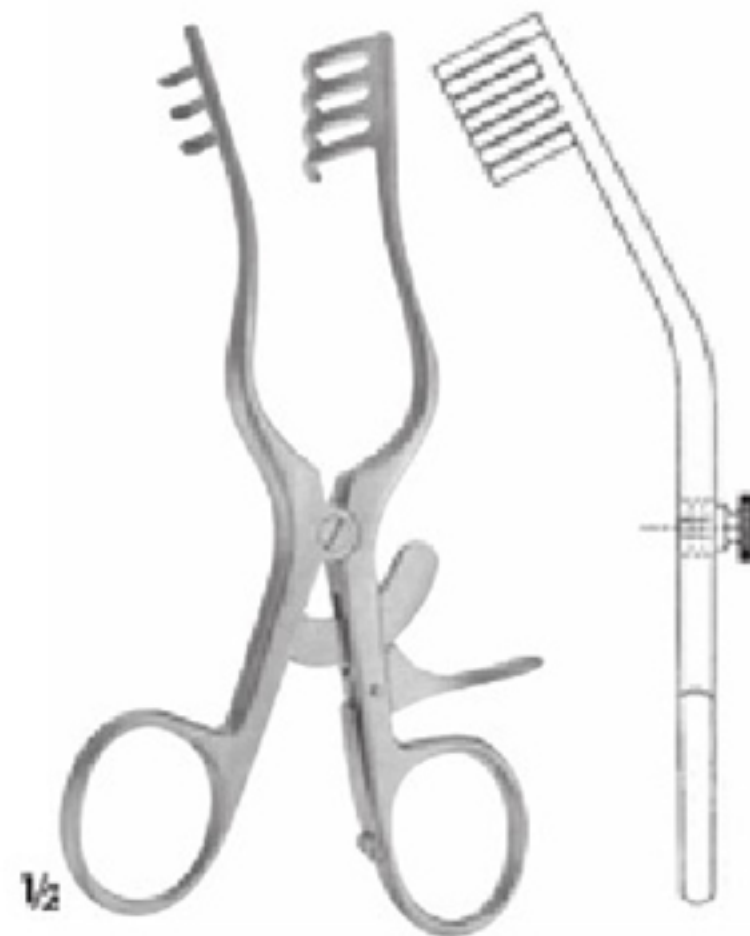
PERKINS
EM-11-1720
13 cm



WULLSTEIN
EM-11-1721 Sharp
13 cm



WULLSTEIN
EM-11-1722 Blunt
13 cm



JEFFERSON
EM-11-1723 Blunt
Curved
14 cm



RNTNE
EM-11-1724 Sharp
16.5 cm



HENDERSON
EM-11-1725 Sharp
18 cm



ADSON-BABY
EM-11-1726-01 14 cm
EM-11-1727-01 16 cm
Yan sivi/Semi sharp



ADSON
EM-11-1726-02 Sharp
EM-11-1727-02 Blunt
16 cm



ADSON
EM-11-1726-03 Sharp
EM-11-1727-03 Blunt
20 cm



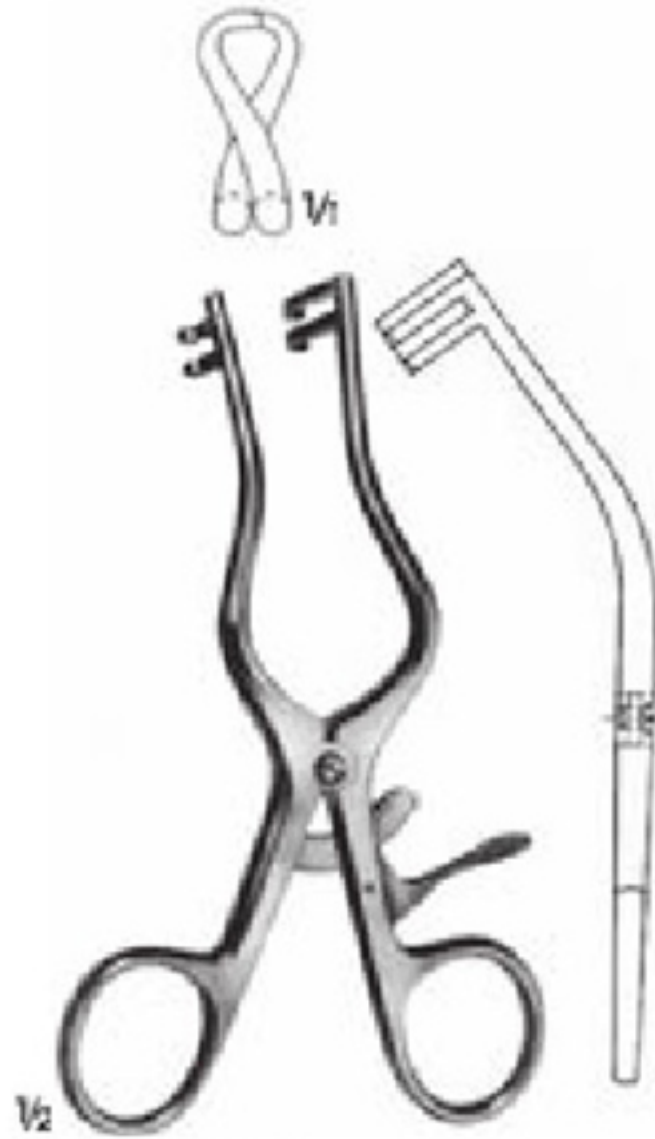
PLESTER
EM-11-1728 Blunt
Left
11 cm



PLESTER
EM-11-1729 Blunt
Right
11 cm



PLESTER
EM-11-1730 Sharp
13 cm



PLESTER
EM-11-1731 Blunt
13 cm



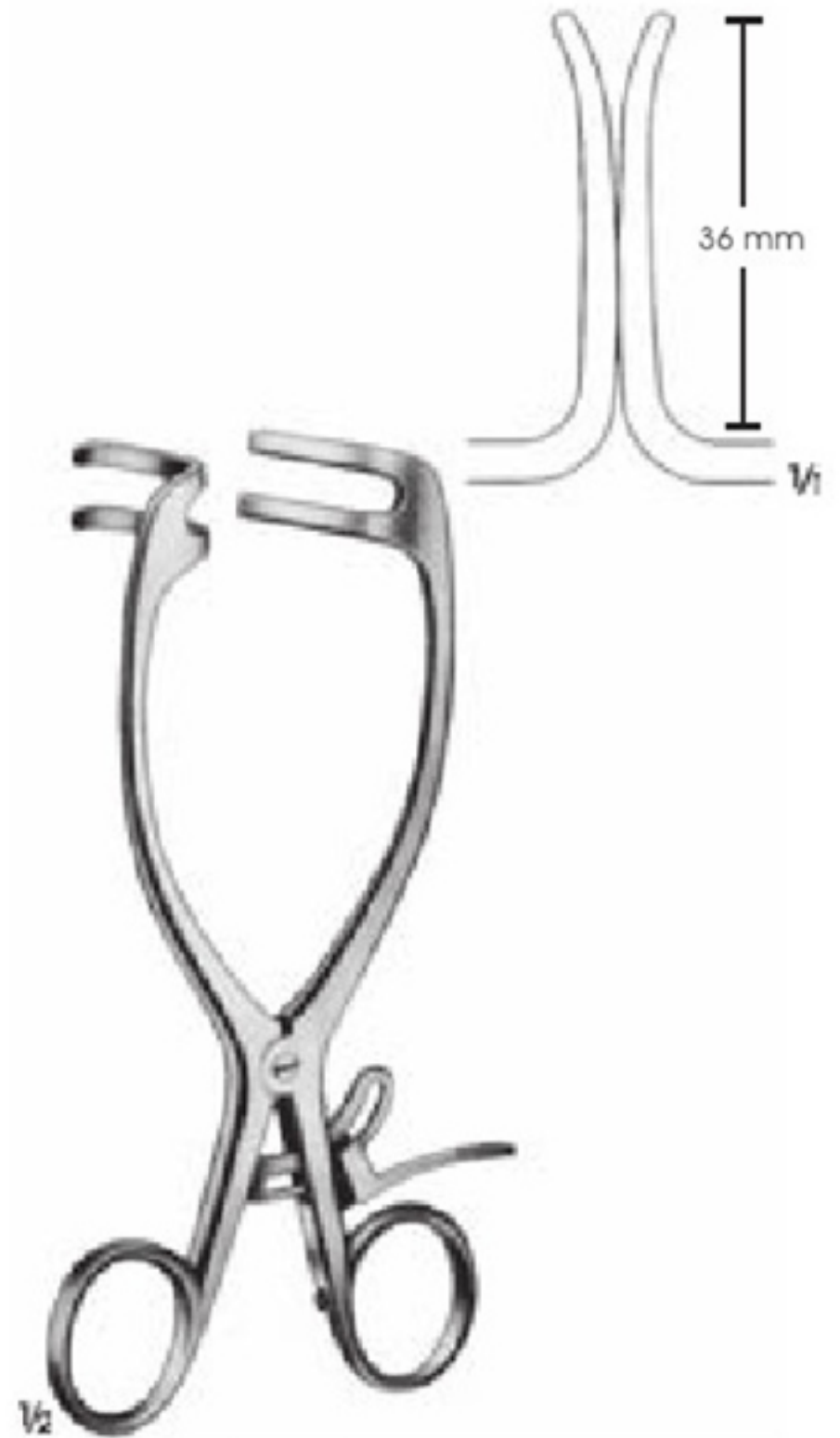
MOLLISON
EM-11-1732 Sharp
14 cm



TUBINGER
EM-11-1733
16.5 cm



IRWIN
EM-11-1734 Sharp
17.5 cm



MAYO-ADAMS
EM-11-1735
16.5 cm



WEITLANER
 EM-11-1736 Sharp
 EM-11-1737 Blunt
 18 cm

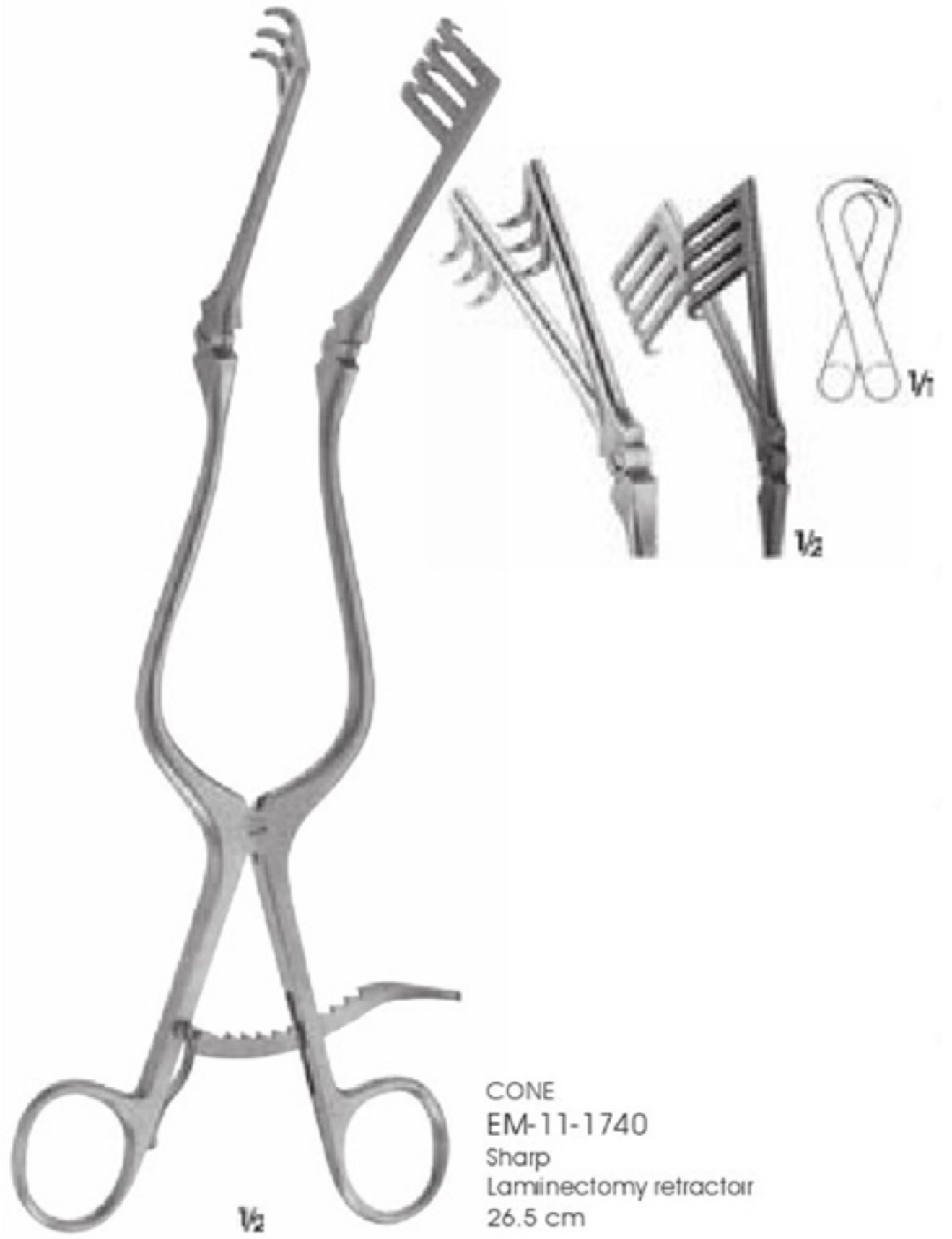


EM-11-1738-02
 Retractor only
 Blunt
 17 cm

 ALLENBERG
 EM-11-1738-01 Complete
 EM-11-1738-02
 Retractor only, blunt 17 cm
 EM-11-1738-03 Blade 12 cm
 35 x 10 mm - 20 x 12 mm
 Carotid retractor
 system



TRAVERS
 EM-11-1739
 Blunt
 Laminectomy retractor
 21.5 cm



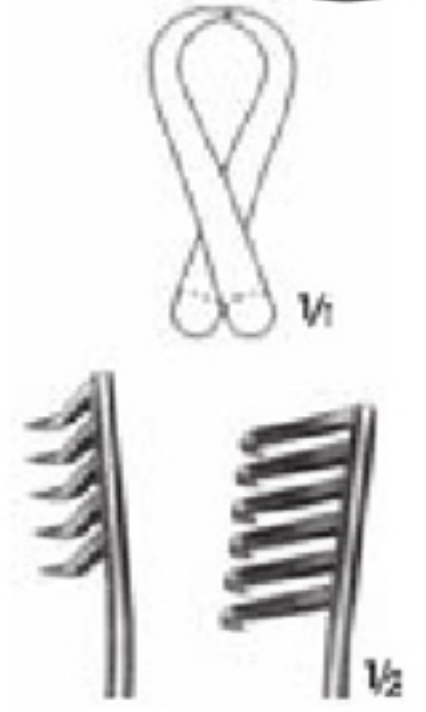
CONE
 EM-11-1740
 Sharp
 Laminectomy retractor
 26.5 cm



EM-11-1741-01
Sharp
19.5 cm



EM-11-1741-02
Sharp
24 cm



EM-11-1741-03
Sharp
25.5 cm



EM-11-1743-01
Semi-sharp
19.5 cm



EM-11-1743-02
Semi-sharp
24 cm



EM-11-1743-03
Semi-sharp
25.5 cm



EM-11-1742-01
Blunt
19.5 cm



EM-11-1742-02
Blunt
24 cm



EM-11-1742-03
Blunt
25.5 cm



WEITLANER
EM-11-1741-01 - 1742-03



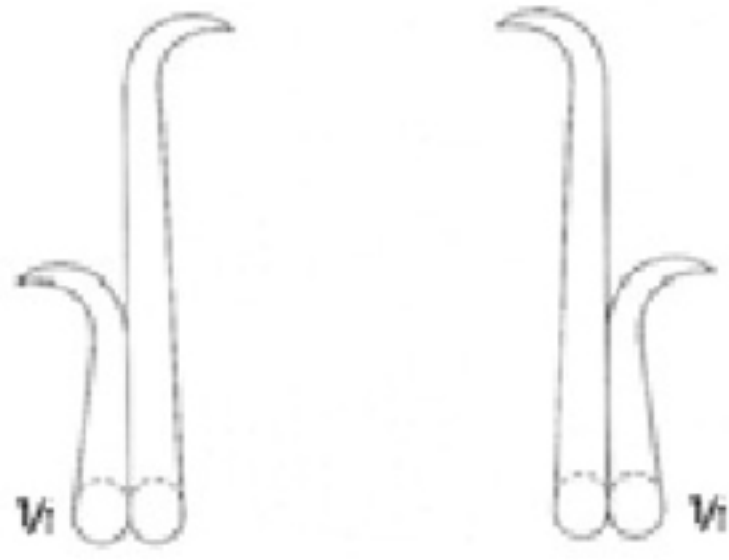
MISKIMON
EM-11-1744 Sharp
19 cm



NORFOLK-NORWICH
EM-11-1745 Blunt
22 cm



ADSON
EM-11-1746 Sharp
26.5 cm



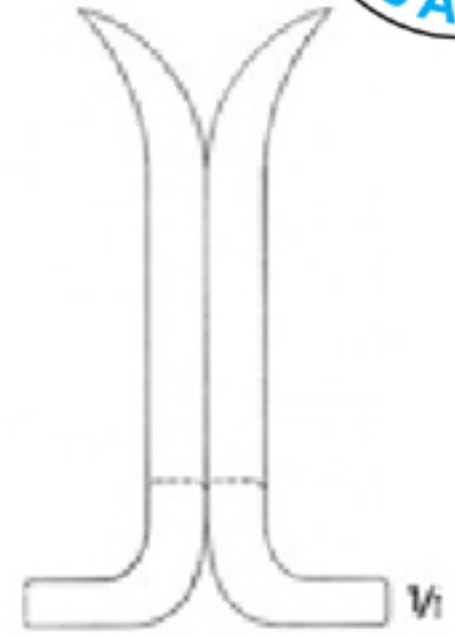
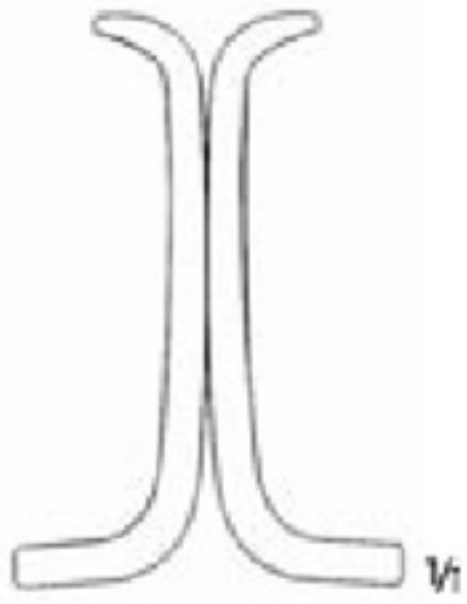
EM-11-1748
Sharp
28 cm



BECKMANN-ADSON
EM-11-1750
Yarı sivi/Semi-sharp
31 cm

EM-11-1747
Hemi-laminectomy retractor/Sharp
28 cm

BECKMANN-ADSON
EM-11-1749
Sharp
31 cm



1/2

HARLEY JACKSON
 EM-11-1751
 Sharp
 28 cm



ADSON
 EM-11-1752
 Semi Sharp
 32 cm



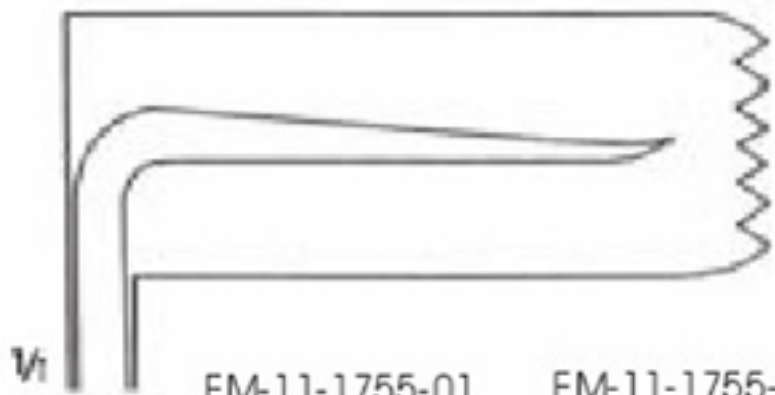
BECKMANN-EATON
 EM-11-1753 Sharp
 32 cm



MEYERDING
EM-11-1754-01 - 1755-06
18 cm



MEYERDING
EM-11-1754-01 - 1755-05
18 cm



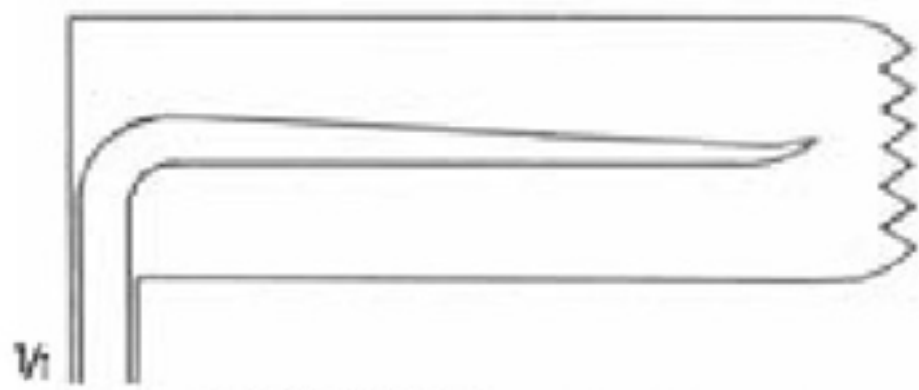
EM-11-1755-01
Left blade

EM-11-1755-02
Right blade



EM-11-1754-01
Left blade

EM-11-1754-02
Right blade



EM-11-1755-03
Left blade

EM-11-1755-04
Right blade



EM-11-1754-03
Left blade

EM-11-1754-04
Right blade



EM-11-1755-05
Left blade

EM-11-1755-06
Right blade



EM-11-1754-05
Left blade

EM-11-1754-06
Right blade



DARLING
EM-11-1756-01
18 cm



DARLING
EM-11-1756-02
18 cm



MEYERDING
EM-11-1757-01 25 x 40 mm
EM-11-1757-02 25 x 50 mm
EM-11-1757-03 25 x 60 mm
17 cm



EM-11-1758
17 cm



EM-11-1759 Right
18 cm



EM-11-1760 Left
18 cm



DE BAKEY
EM-11-1761
Femur retractor for children
10 cm



DE BAKEY
EM-11-1762
Femur retractor
14.5 cm



GELPI
EM-11-1763
Vaginal retractor
13.5 cm



RICHTER
EM-11-1764
17 cm



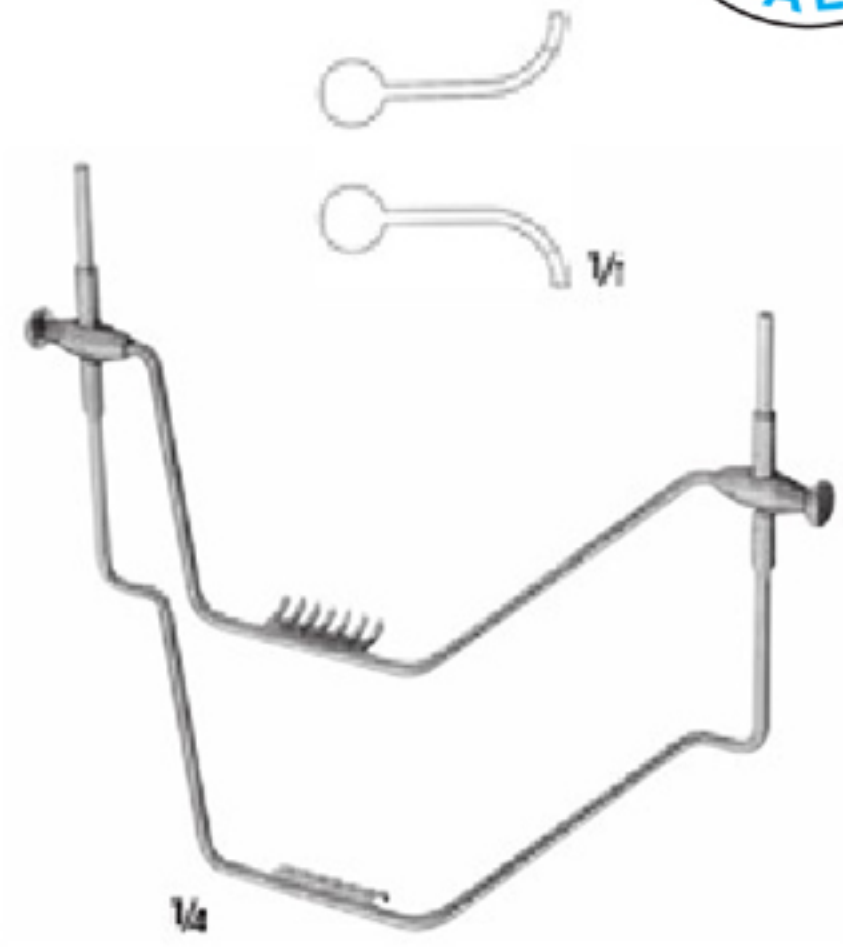
GELPI
EM-11-1765
Skin and vaginal retractor
17.5 cm



JACKSON-BURROWS
EM-11-1766
Retractor, blunt
18.5 cm



$\frac{1}{2}$
 JOLL (FRIEDMANN)
 EM-11-1767
 Thyroid and vaginal retractor
 15.5 cm



$\frac{1}{4}$
 EM-11-1768
 Thyroid retractor



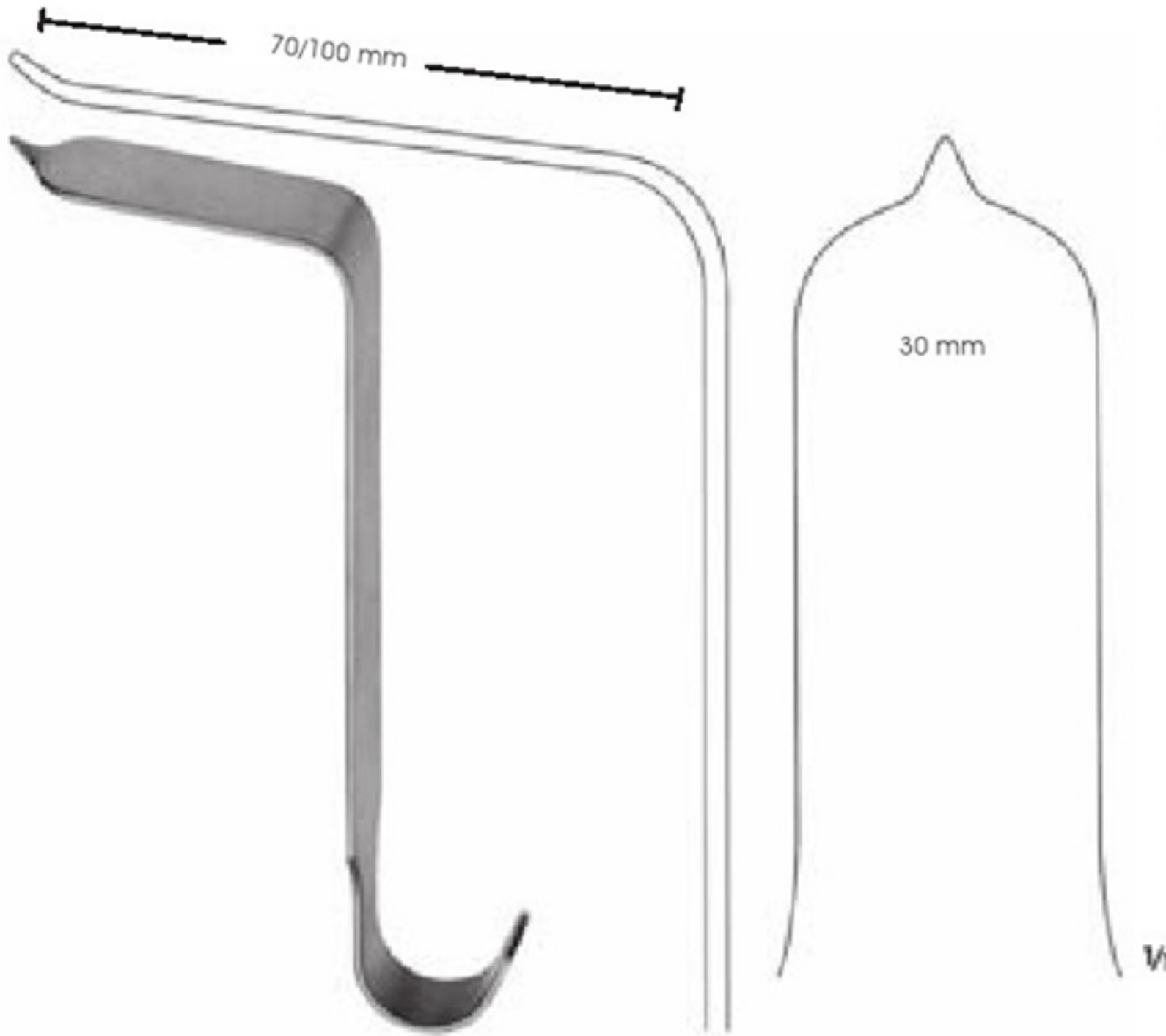
$\frac{1}{2}$
 TROUSSEAU
 EM-11-1769
 Tracheal dilator
 12 cm



$\frac{1}{2}$
 LABORDE
 EM-11-1770
 Tracheal dilator
 12.5 cm



$\frac{1}{2}$
 LABORDE
 EM-11-1771
 Tracheal dilator/Strong pattern
 13.5 cm

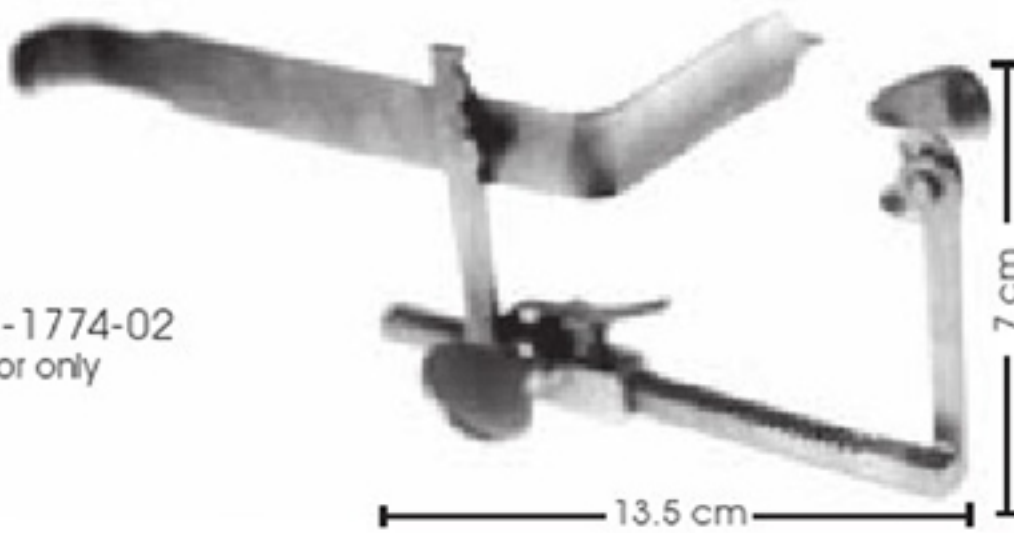


TAYLOR
 EM-11-1772-01
 Blade Size 30 x 70 mm
 18.5 cm
 EM-11-1772-02
 Blade Size 30 x 100 mm
 20 cm



BALLANTINE
 EM-11-1773
 32 x 90 mm
 23 cm

TAYLOR-TURANTAN
 EM-11-1774-03
 20 x 68 x 150 mm

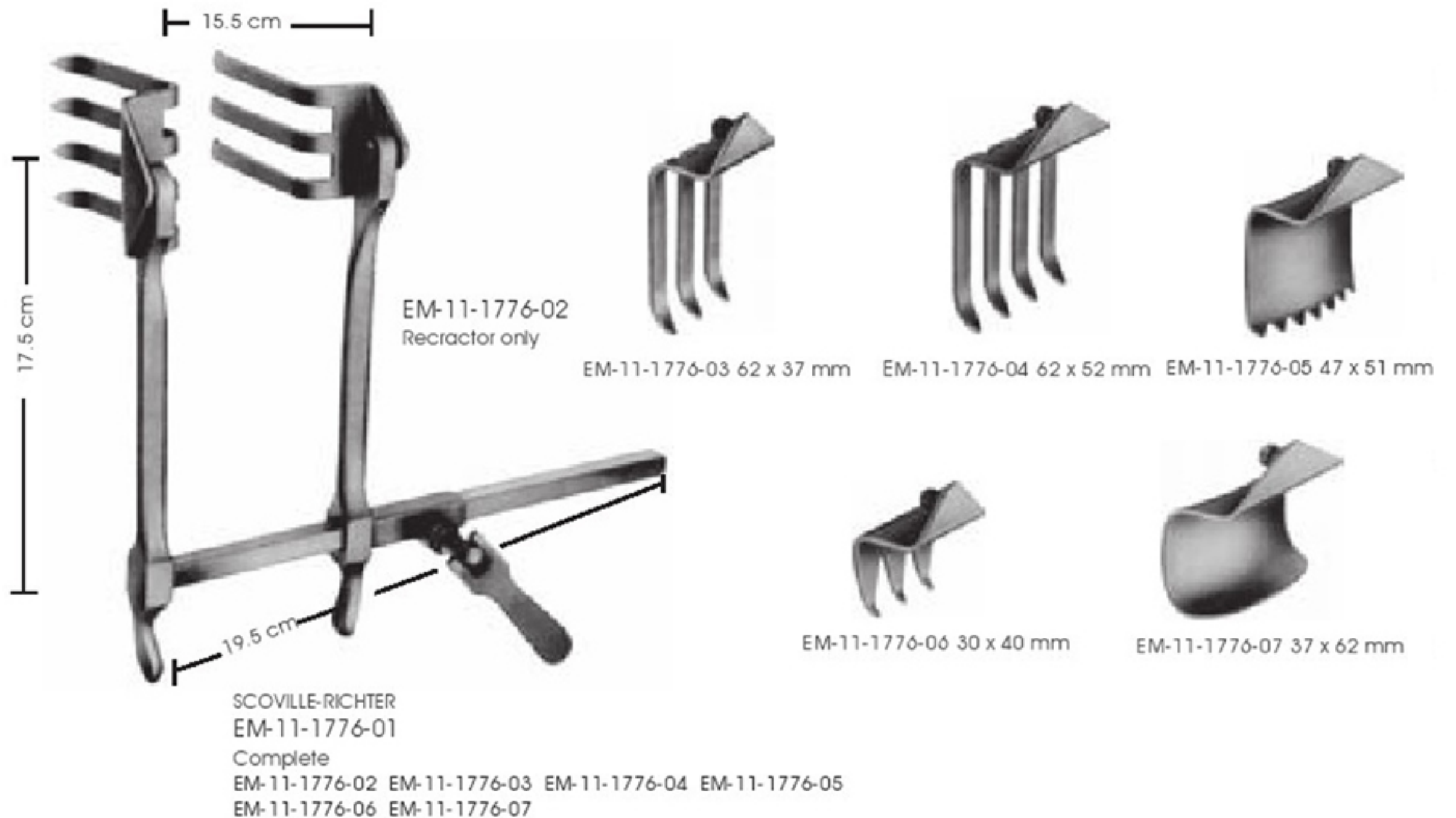


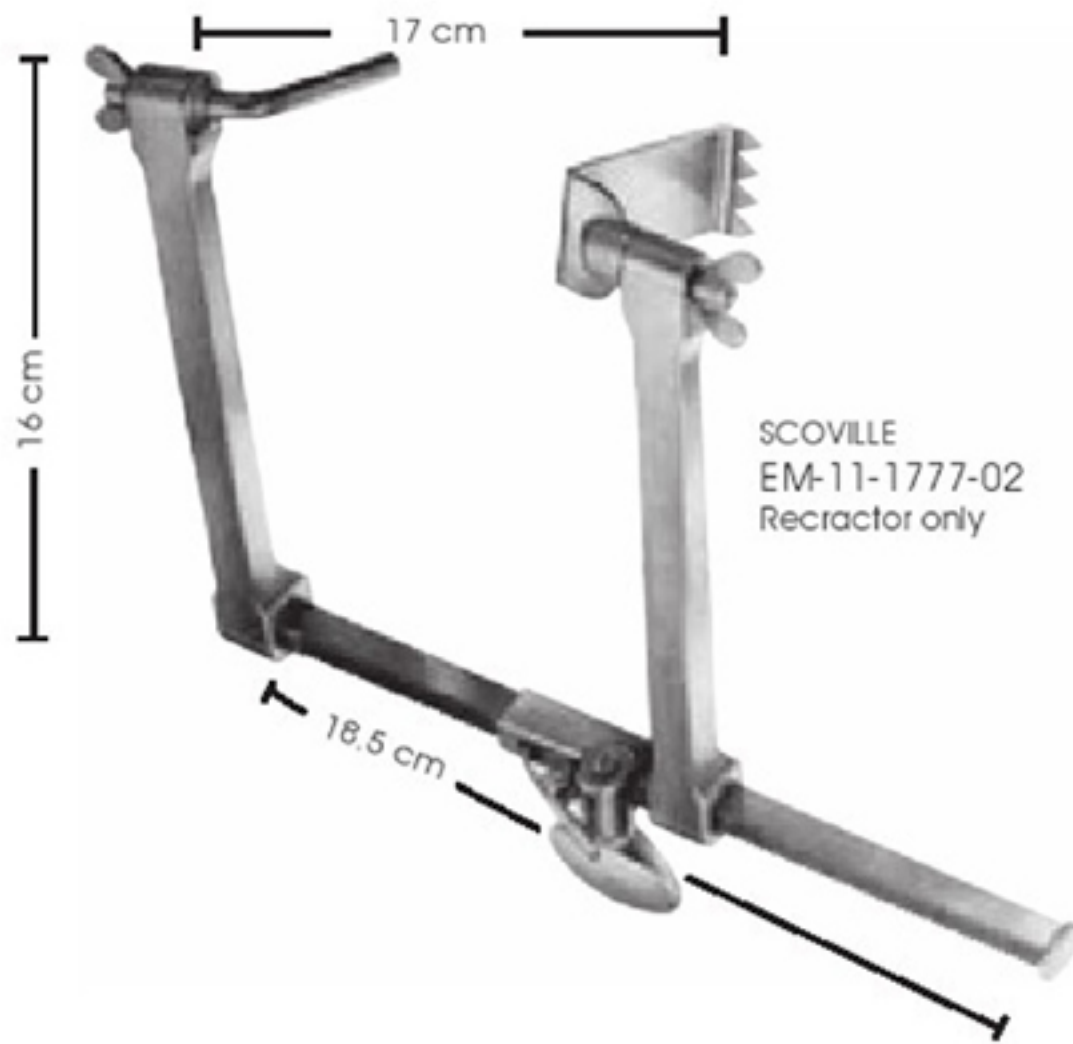
EM-11-1774-02
 Retractor only



EM-11-1774-04 20 x 20 mm
 EM-11-1774-05 30 x 20 mm
 EM-11-1774-06 36 x 20 mm

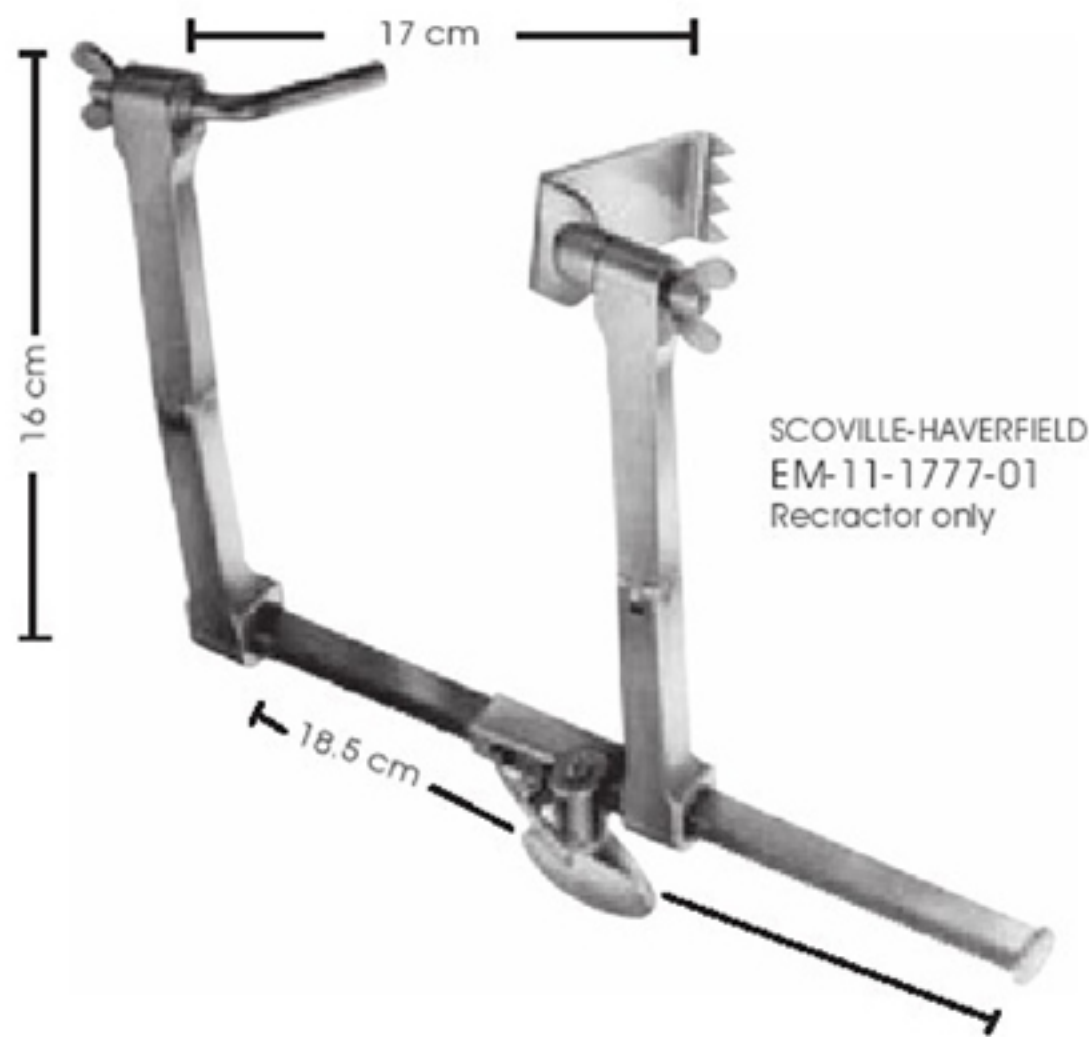
TURANTAN
 EM-11-1774-01
 EM-11-1774-02
 EM-11-1774-03 EM-11-1774-04 EM-11-1774-05 EM-11-1774-06





SCOVILLE
 EM-11-1777-02
 Retractor only

SCOVILLE
 EM-11-1777-04 Complete
 EM-11-1777-02
 EM-11-1777-05 EM-11-1777-06



SCOVILLE-HAVERFIELD
 EM-11-1777-01
 Retractor only

SCOVILLE-HAVERFIELD
 EM-11-1777-03 Complete
 EM-11-1777-01
 EM-11-1777-05 EM-11-1777-06



SCOVILLE
 EM-11-1777-05 55 mm



SCOVILLE
 EM-11-1777-06 63 x 25 mm
 EM-11-1777-09 63 x 51 mm



TAYLOR
 EM-11-1777-07 47 x 37 mm



TAYLOR
 EM-11-1777-08 62 x 52 mm



EM-11-1778-02
Retractor only

CASPAR
EM-11-1778-01 Complete
EM-11-1778-02
EM-11-1778-03 EM-11-1778-09 EM-11-1778-17 EM-11-1778-25



EM-11-1778-01 38 mm
EM-11-1778-03 58 mm
Without pins



EM-11-1778-04 32 x 22 mm
EM-11-1778-05 37 x 22 mm
EM-11-1778-06 42 x 22 mm
EM-11-1778-07 47 x 22 mm
EM-11-1778-08 52 x 22 mm
EM-11-1778-09 57 x 22 mm
EM-11-1778-10 62 x 22 mm
EM-11-1778-11 67 x 22 mm
Without pins



EM-11-1778-12 32 x 37 mm
EM-11-1778-13 37 x 37 mm
EM-11-1778-14 42 x 37 mm
EM-11-1778-15 47 x 37 mm
EM-11-1778-16 52 x 37 mm
EM-11-1778-17 57 x 37 mm
EM-11-1778-18 62 x 37 mm
EM-11-1778-19 67 x 37 mm
Without pins



EM-11-1778-20 32 x 52 mm
EM-11-1778-21 37 x 52 mm
EM-11-1778-22 42 x 52 mm
EM-11-1778-23 47 x 52 mm
EM-11-1778-24 52 x 52 mm
EM-11-1778-25 57 x 52 mm
EM-11-1778-26 62 x 52 mm
EM-11-1778-27 67 x 52 mm
Without pins

Universal Retractor

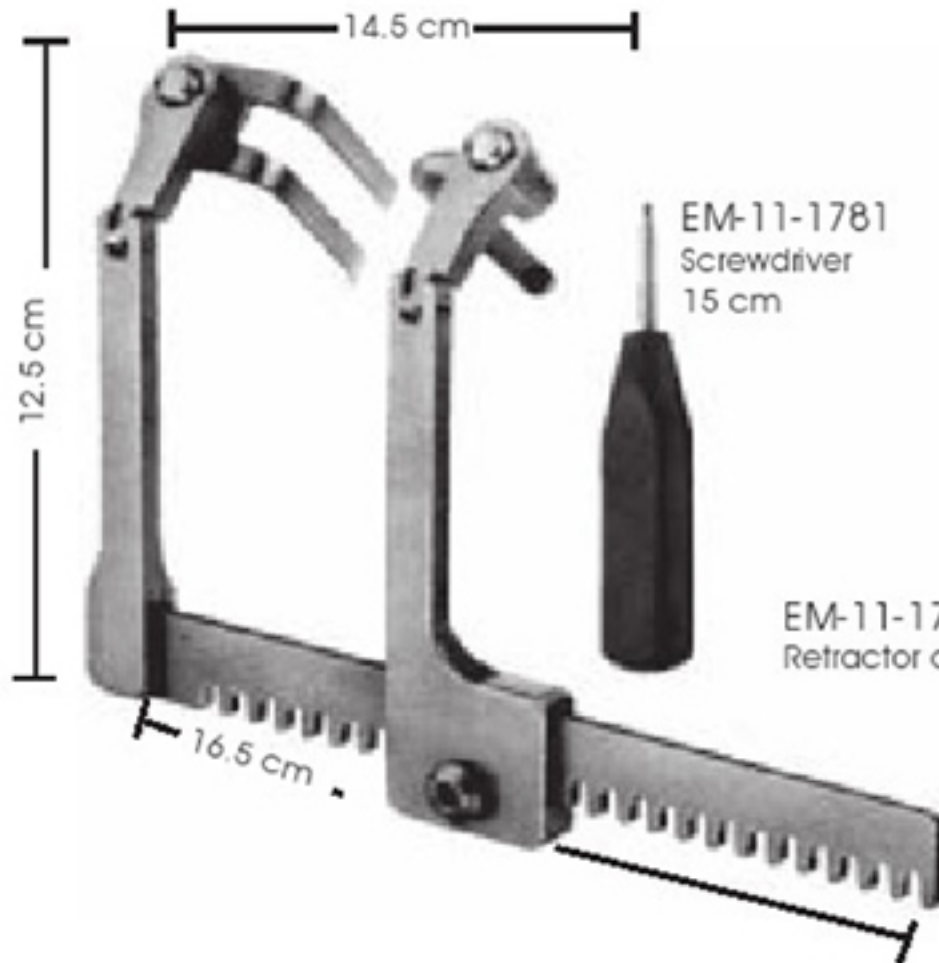


- EM-11-1779-01 50 x 44 mm
- EM-11-1779-02 50 x 54 mm
- EM-11-1779-03 50 x 74 mm
- EM-11-1779-04 50 x 89 mm



EM-11-1780
Retractor placing handle

Spine Retractor



Universal spinal retractor system
The self-retaining Caspar universal spinal retractor permits safe retraction and saves in the operation area due to the removable handles.

- CASPAR
- EM-11-1782-01 Complete
 - EM-11-1782-02 EM-11-1781
 - EM-11-1783-02 EM-11-1783-08 EM-11-1783-16 EM-11-1783-25



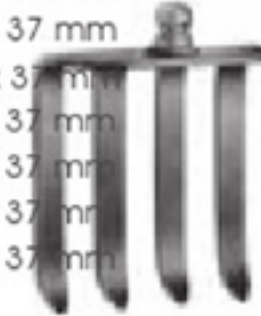
EM-11-1783-01 38 mm
EM-11-1783-02 58 mm
Pins



- EM-11-1783-03 32 x 22 mm
 - EM-11-1783-04 37 x 22 mm
 - EM-11-1783-05 42 x 22 mm
 - EM-11-1783-06 47 x 22 mm
 - EM-11-1783-07 52 x 22 mm
 - EM-11-1783-08 57 x 22 mm
 - EM-11-1783-09 62 x 22 mm
 - EM-11-1783-10 67 x 22 mm
- Pins



- EM-11-1783-11 32 x 37 mm
 - EM-11-1783-12 37 x 37 mm
 - EM-11-1783-13 42 x 37 mm
 - EM-11-1783-14 47 x 37 mm
 - EM-11-1783-15 52 x 37 mm
 - EM-11-1783-16 57 x 37 mm
 - EM-11-1783-17 62 x 37 mm
 - EM-11-1783-18 67 x 37 mm
- Pins



- EM-11-1783-19 32 x 52 mm
 - EM-11-1783-20 37 x 52 mm
 - EM-11-1783-21 42 x 52 mm
 - EM-11-1783-22 47 x 52 mm
 - EM-11-1783-23 52 x 52 mm
 - EM-11-1783-24 57 x 52 mm
 - EM-11-1783-25 62 x 52 mm
 - EM-11-1783-26 67 x 52 mm
- Pins

HARD COATED



EM-11-1784-01 40 mm EM-11-1784-02 45 mm EM-11-1784-03 50 mm EM-11-1784-04 55 mm EM-11-1784-05 60 mm EM-11-1784-06 65 mm EM-11-1784-07 75 mm EM-11-1784-08 85 mm



CASPAR
EM-11-1784-01 - 11-1784-08

HARD COATED



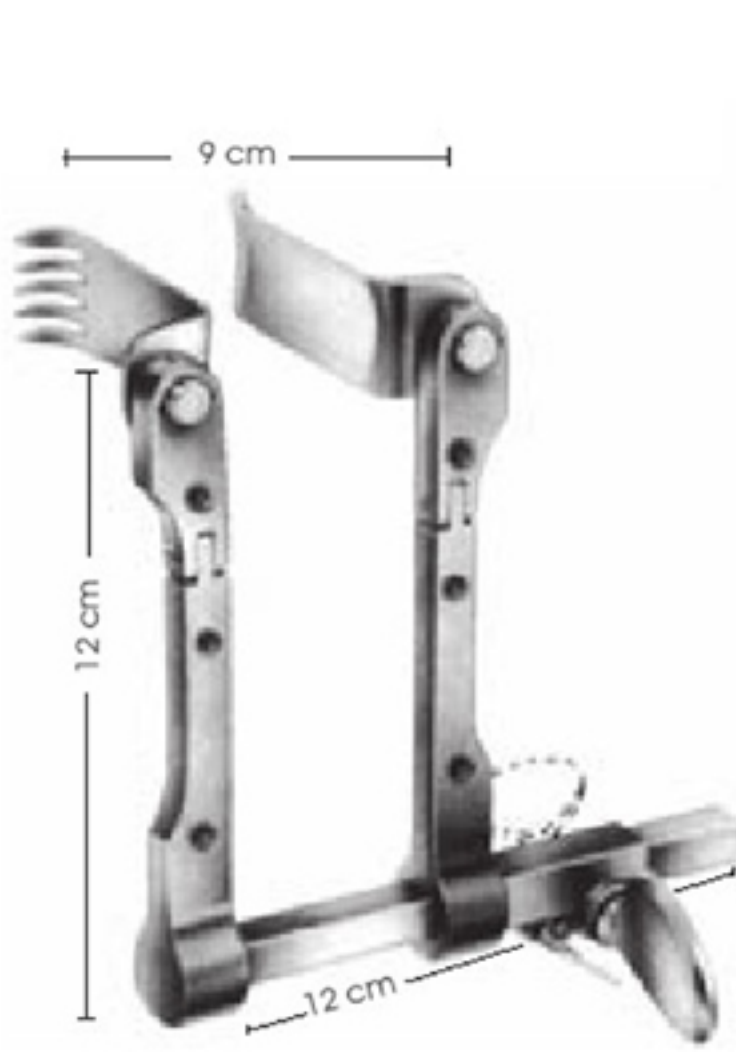
EM-11-1785-03 35 mm EM-11-1785-04 40 mm EM-11-1785-05 45 mm EM-11-1785-06 50 mm EM-11-1785-07 55 mm EM-11-1785-08 60 mm EM-11-1785-09 65 mm EM-11-1785-10 75 mm EM-11-1785-11 85 mm



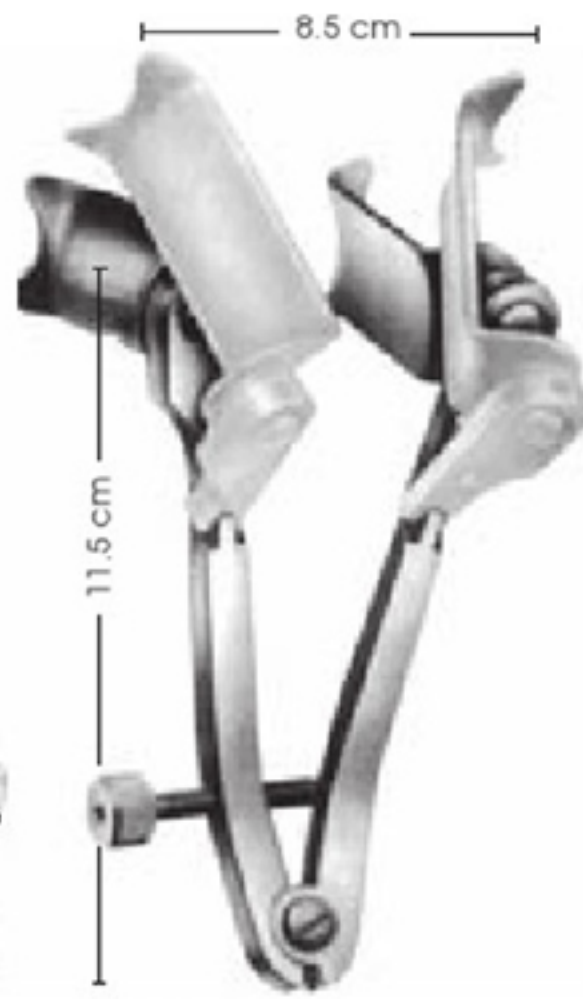
EM-11-1786-01 40 mm EM-11-1786-02 45 mm EM-11-1786-03 50 mm EM-11-1786-04 55 mm EM-11-1786-05 60 mm EM-11-1786-06 65 mm EM-11-1786-07 70 mm

EM-11-1785-02 Retractor only

CASPAR
EM-11-1785-01 Complete
EM-11-1785-02 EM-11-1785-03 EM-11-1785-11



CASPAR
EM-11-1787-01
EM-11-1787-02 Retractor only
(EM-11-1798-01 EM-11-1798-05)



CASPAR
EM-11-1788-01
EM-11-1788-02 Retractor only
(EM-11-1798-01 EM-11-1798-06)



CASPAR
EM-11-1789-02
EM-11-1789-02 Retractor only
(EM-11-1798-01 EM-11-1798-06)



EM-11-1790-01 40 x 23 mm
EM-11-1790-02 45 x 23 mm
EM-11-1790-03 50 x 23 mm
EM-11-1790-04 55 x 23 mm
EM-11-1790-05 60 x 23 mm



EM-11-1791-01 40 x 23 mm
EM-11-1791-02 45 x 23 mm
EM-11-1791-03 50 x 23 mm
EM-11-1791-04 55 x 23 mm
EM-11-1791-05 60 x 23 mm



EM-11-1792-01 40 x 23 mm
EM-11-1792-02 45 x 23 mm
EM-11-1792-03 50 x 23 mm
EM-11-1792-04 55 x 23 mm
EM-11-1792-05 60 x 23 mm
EM-11-1792-06 65 x 23 mm



EM-11-1790-06 40 x 25 mm
EM-11-1790-07 45 x 25 mm
EM-11-1790-08 50 x 25 mm
EM-11-1790-09 55 x 25 mm
EM-11-1790-10 60 x 25 mm



EM-11-1791-06 40 x 25 mm
EM-11-1791-07 45 x 25 mm
EM-11-1791-08 50 x 25 mm
EM-11-1791-09 55 x 25 mm
EM-11-1791-10 60 x 25 mm



EM-11-1792-07 30 x 24 mm
EM-11-1792-08 35 x 24 mm
EM-11-1792-09 40 x 24 mm
EM-11-1792-10 45 x 24 mm
EM-11-1792-11 50 x 24 mm
EM-11-1792-12 55 x 24 mm
EM-11-1792-13 60 x 24 mm
EM-11-1792-14 65 x 24 mm
EM-11-1792-15 70 x 24 mm
EM-11-1792-16 75 x 24 mm
Titanium blades



EM-11-1793-03 25 x 24 mm
EM-11-1793-04 30 x 24 mm
EM-11-1793-05 35 x 24 mm
EM-11-1793-06 40 x 24 mm
EM-11-1793-07 45 x 24 mm
EM-11-1793-08 50 x 24 mm
EM-11-1793-09 55 x 24 mm
EM-11-1793-10 60 x 24 mm
EM-11-1793-11 65 x 24 mm
EM-11-1793-12 70 x 24 mm
Titanium blades



EM-11-1793-13 25 x 24 mm
EM-11-1793-14 30 x 24 mm
EM-11-1793-15 35 x 24 mm
EM-11-1793-16 40 x 24 mm
EM-11-1793-17 45 x 24 mm
EM-11-1793-18 50 x 24 mm
EM-11-1793-19 55 x 24 mm
EM-11-1793-20 60 x 24 mm
EM-11-1793-21 65 x 24 mm
EM-11-1793-22 70 x 24 mm
Titanium blades



EM-11-1793-01 50 x 25 mm
EM-11-1793-02 60 x 25 mm



EM-11-1794
Blade ejector
forceps
11.5 cm



EM-11-1795
Double hinged cervical retractor



EM-11-1796
Double hinged retractor used for longitudinal retraction



EM-11-1797
Counter retractor



EM-11-1798-01 30 x 24 mm
EM-11-1798-02 35 x 24 mm
EM-11-1798-03 40 x 24 mm
EM-11-1798-04 45 x 24 mm
EM-11-1798-05 50 x 24 mm
EM-11-1798-06 55 x 24 mm
EM-11-1798-07 60 x 24 mm
EM-11-1798-08 65 x 24 mm
EM-11-1798-09 70 x 24 mm
Medial blades titanium



EM-11-1799-01 30 x 24 mm
EM-11-1799-02 35 x 24 mm
EM-11-1799-03 40 x 24 mm
EM-11-1799-04 45 x 24 mm
EM-11-1799-05 50 x 24 mm
EM-11-1799-06 55 x 24 mm
EM-11-1799-07 60 x 24 mm
EM-11-1799-08 65 x 24 mm
EM-11-1799-09 70 x 24 mm
Lateral blades titanium



EM-11-1800-01 35 x 24 mm
EM-11-1800-02 40 x 24 mm
EM-11-1800-03 45 x 24 mm
EM-11-1800-04 50 x 24 mm
EM-11-1800-05 55 x 24 mm
EM-11-1800-06 60 x 24 mm
EM-11-1800-07 65 x 24 mm
EM-11-1800-08 70 x 24 mm
EM-11-1800-09 75 x 24 mm
Blunt blades titanium



EM-11-1801-01 30 x 24 mm
EM-11-1801-02 35 x 24 mm
EM-11-1801-03 40 x 24 mm
EM-11-1801-04 45 x 24 mm
EM-11-1801-05 50 x 24 mm
EM-11-1801-06 55 x 24 mm
EM-11-1801-07 60 x 24 mm
EM-11-1801-08 65 x 24 mm
EM-11-1801-09 70 x 24 mm
Medial blades titanium



EM-11-1802-01 30 x 24 mm
EM-11-1802-02 35 x 24 mm
EM-11-1802-03 40 x 24 mm
EM-11-1802-04 45 x 24 mm
EM-11-1802-05 50 x 24 mm
EM-11-1802-06 55 x 24 mm
EM-11-1802-07 60 x 24 mm
EM-11-1802-08 65 x 24 mm
EM-11-1802-09 70 x 24 mm
Lateral blades titanium



EM-11-1803-01 35 x 24 mm
EM-11-1803-02 40 x 24 mm
EM-11-1803-03 45 x 24 mm
EM-11-1803-04 50 x 24 mm
EM-11-1803-05 55 x 24 mm
EM-11-1803-06 60 x 24 mm
EM-11-1803-07 65 x 24 mm
EM-11-1803-08 70 x 24 mm
EM-11-1803-09 75 x 24 mm
Blunt blades titanium



EM-11-1804-01 25 x 19 mm
EM-11-1804-02 30 x 19 mm
EM-11-1804-03 35 x 19 mm
EM-11-1804-04 40 x 19 mm
EM-11-1804-05 45 x 19 mm
EM-11-1804-06 50 x 19 mm
EM-11-1804-07 55 x 19 mm
EM-11-1804-08 60 x 19 mm
Teeth blades titanium



EM-11-1805-01 25 x 19 mm
EM-11-1805-02 30 x 19 mm
EM-11-1805-03 35 x 19 mm
EM-11-1805-04 40 x 19 mm
EM-11-1805-05 45 x 19 mm
EM-11-1805-06 50 x 19 mm
EM-11-1805-07 55 x 19 mm
EM-11-1805-08 60 x 19 mm
Blunt blades titanium



EM-11-1806
Handle for blades with side load attachment



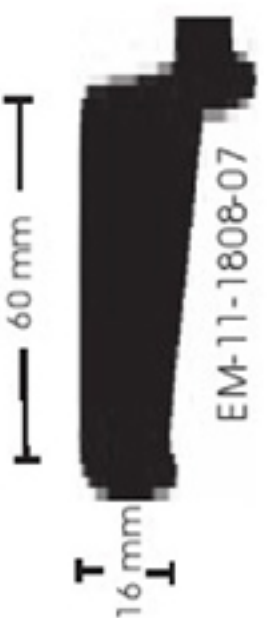
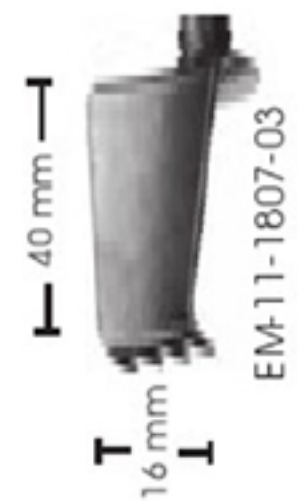
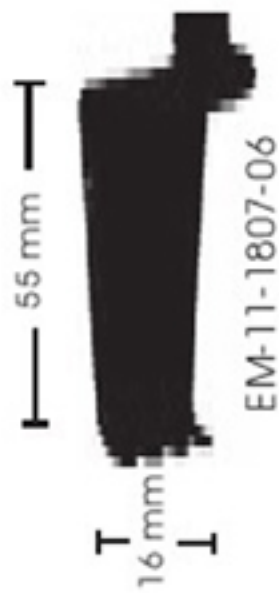
CLOWARD
 EM-11-1807-02
 Retractor only
 25 cm



CLOWARD
 EM-11-1808-01
 Retractor only
 15 cm

CLOWARD
 EM-11-1807-01 Complete
 EM-11-1807-02
 EM-11-1807-03 - 11-1807-07

CLOWARD
 EM-11-1808-02 Complete
 EM-11-1808-01
 EM-11-1808-03 EM-11-1808-04 EM-11-1808-05
 EM-11-1808-06 EM-11-1808-07





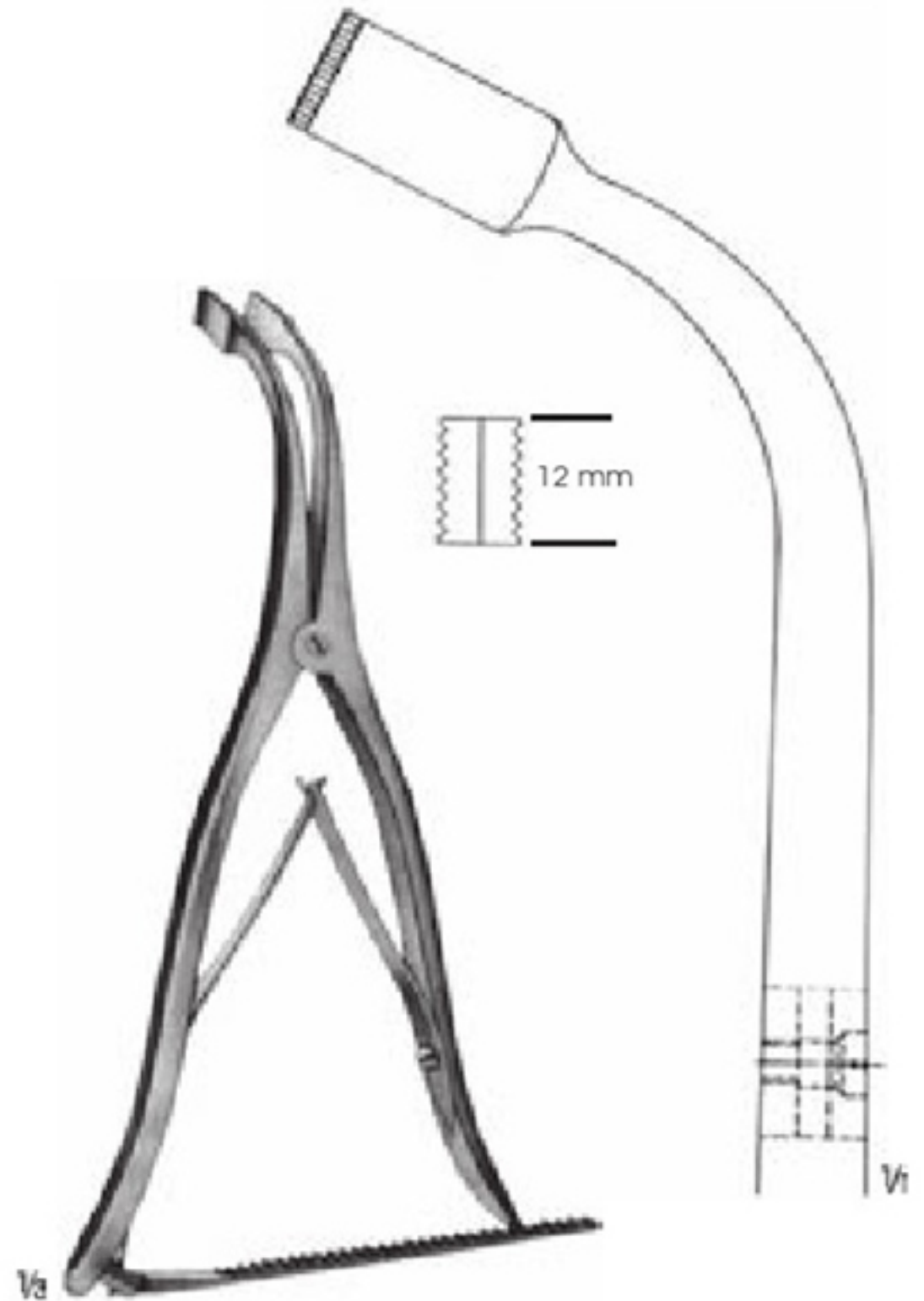
CLOWARD
EM-11-1809
15.5 cm



CLOWARD
EM-11-1810
13.5 cm



INGE
EM-11-1811
17 cm



INGE
EM-11-1812
27.5 cm



BABY-COLLIN
EM-11-1813-01 Complete
EM-11-1813-02 Sadece ekartör
Retractor only
EM-11-1813-03 18 x 42 mm blades pair
EM-11-1813-04 28 x 42 mm blades pair



COLLIN
EM-11-1814-01 Complete
EM-11-1814-02 Retractor only
EM-11-1814-03 Lateral blades pair



COLLIN
EM-11-1815-01 - 1815-03



COLLIN
EM-11-1816-01 1816-02

| | | | |
|-----------------------|--------------------------------|--------------------------------|--------------------------------|
| Retractor only | EM-11-1815-01 EM-11-1815-04 | EM-11-1815-02 EM-11-1815-05 | EM-11-1815-03 EM-11-1815-05 |
| Lateral blades (pair) | EM-11-1817-01 37 x 62 mm | EM-11-1817-02 37 x 80 mm | EM-11-1817-03 37 x 98 mm |
| Center blade | EM-11-1818-01 54 x 55 mm | EM-11-1818-02 54 x 67 mm | EM-11-1818-03 52 x 76 mm |

| | | |
|-----------------------|--------------------------------|--------------------------------|
| Retractor only | EM-11-1816-01 EM-11-1816-03 | EM-11-1816-02 EM-11-1816-03 |
| Lateral blades (pair) | EM-11-1817-04 48 x 59 mm | EM-11-1817-05 61 x 80 mm |
| Center blade | EM-11-1818-04 63 x 74 mm | EM-11-1818-04 63 x 74 mm |

32 cm



RICARD
EM-11-1819-01 - 1819-02

| | | |
|-----------------------|--------------------------------|--------------------------------|
| Retractor only | EM-11-1819-01 EM-11-1819-03 | EM-11-1819-02 EM-11-1819-03 |
| Lateral blades (pair) | EM-11-1819-04 58 x 80 mm | EM-11-1819-05 72 x 84 mm |
| Center blade | EM-11-1819-06 54 x 70 mm | EM-11-1819-07 72 x 90 mm |

26.5 cm



ROBIN-MASSE
EM-11-1820-01
Complete

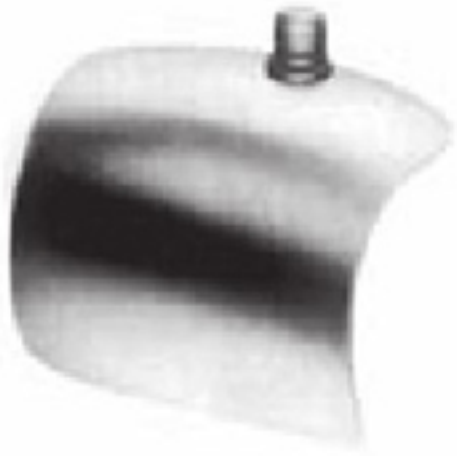
| | |
|-----------------------|-----------------------------|
| Retractor only | EM-11-1820-02 |
| Lateral blades (pair) | EM-11-1822-01 37 x 62 mm |
| Center blade | EM-11-1823-01 38 x 68 mm |

27.5 cm

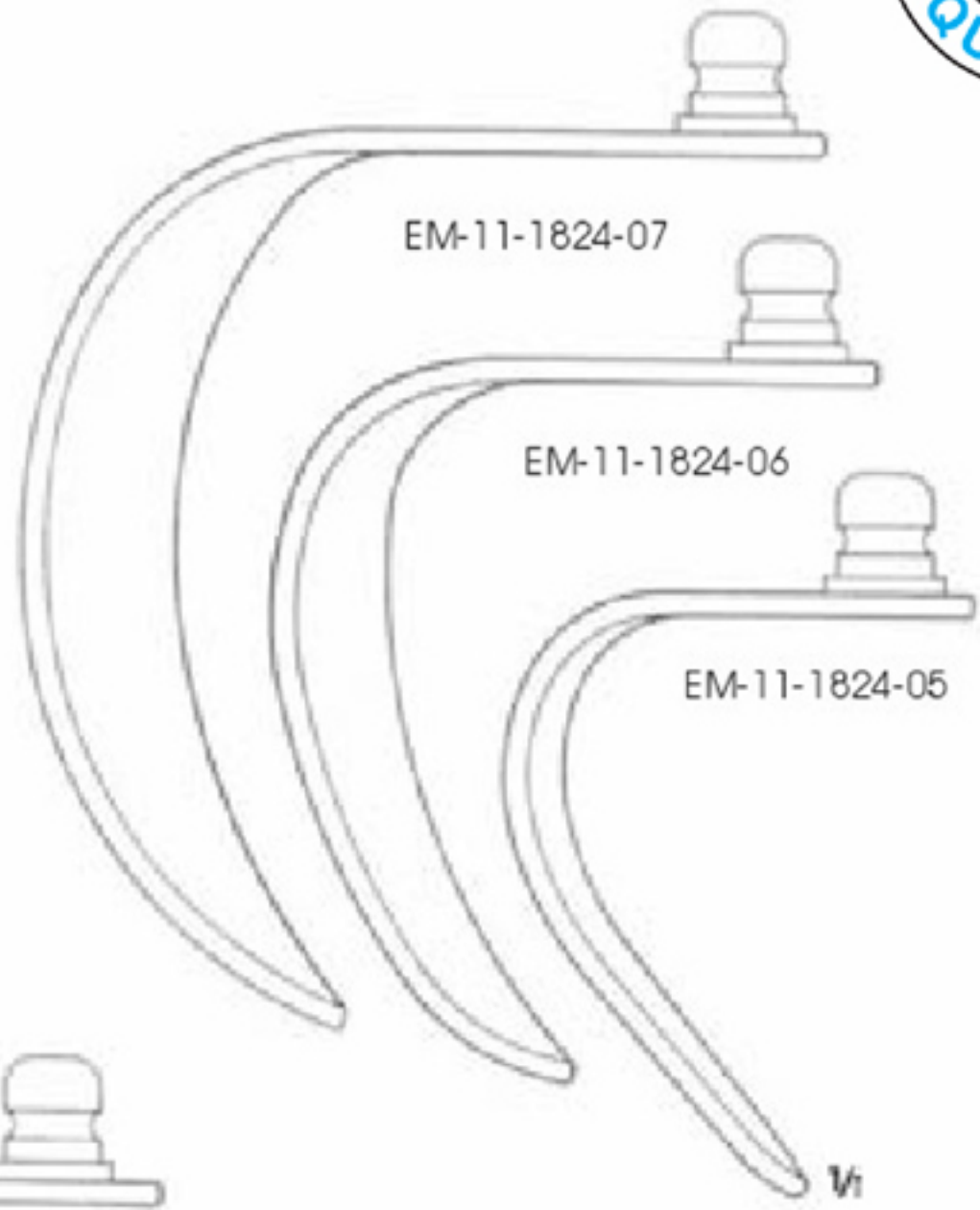


HOLZBACH
EM-11-1821-01
Complete

| | |
|-----------------------|-----------------------------|
| Retractor only | EM-11-1822-02 |
| Lateral blades (pair) | EM-11-1822-02 59 x 80 mm |
| Center blade | EM-11-1823-02 74 x 82 mm |



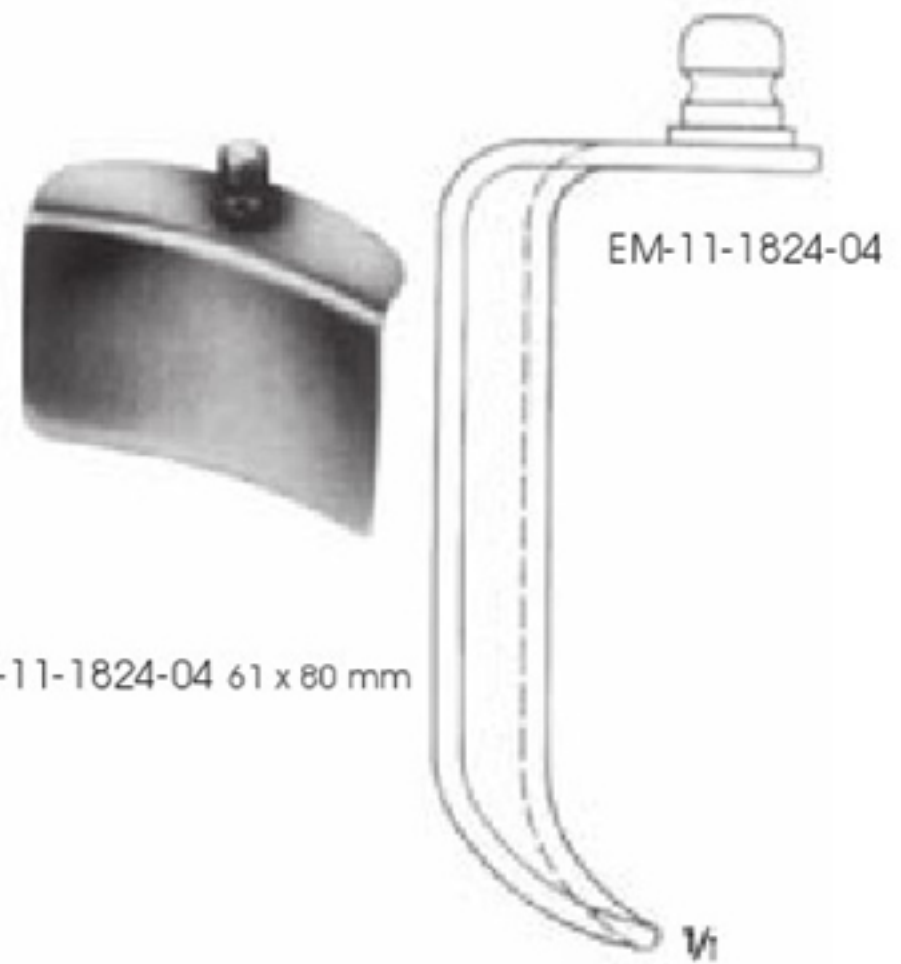
EM-11-1824-05 48 x 59 mm
EM-11-1824-06 58 x 80 mm
EM-11-1824-07 72 x 84 mm
Lateral blades (pair)



EM-11-1824-08 59 x 80 mm
Lateral blades (pair)



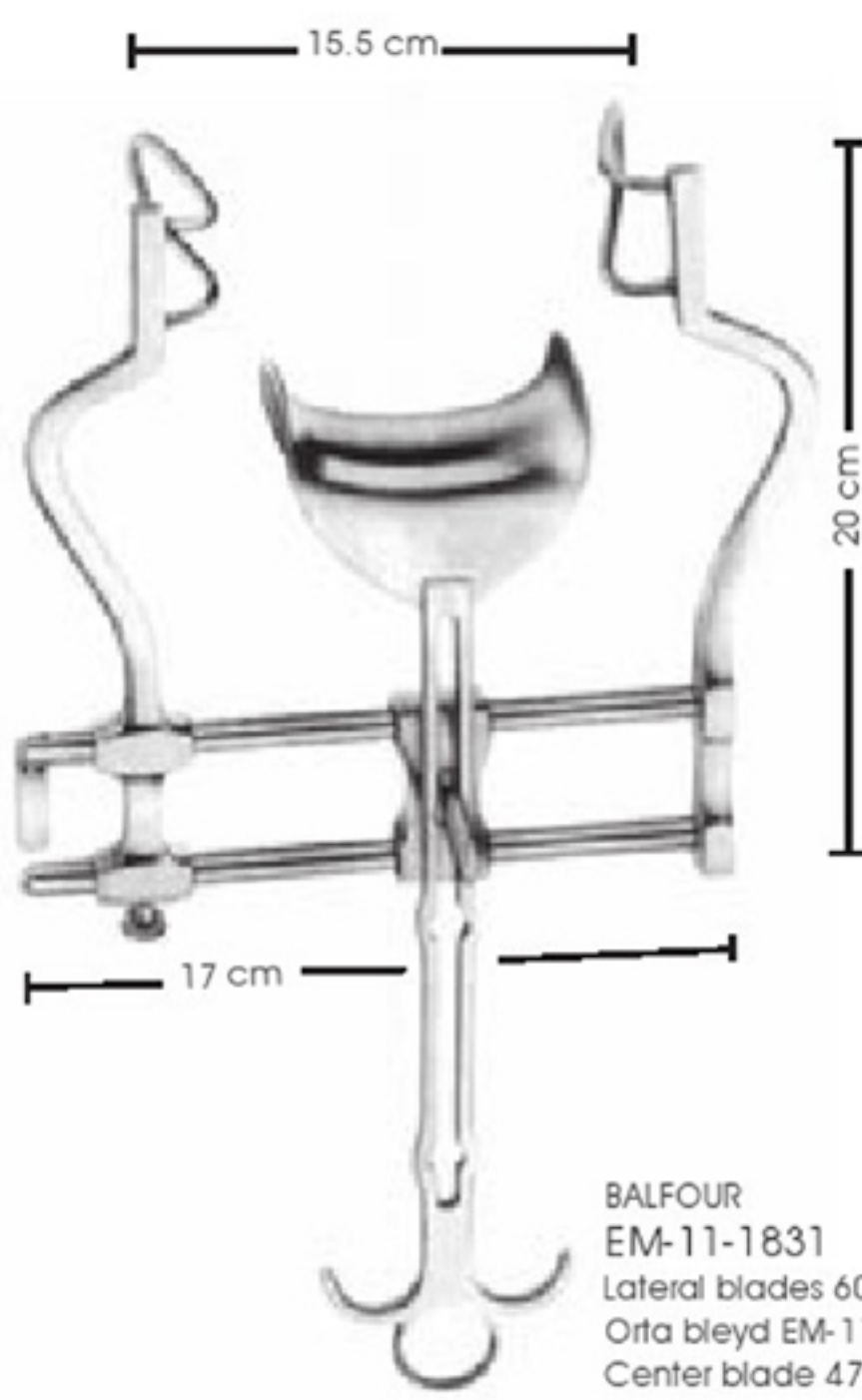
EM-11-1824-01 37 x 62 mm
EM-11-1824-02 37 x 80 mm
EM-11-1824-03 37 x 98 mm
Lateral blades (pair)



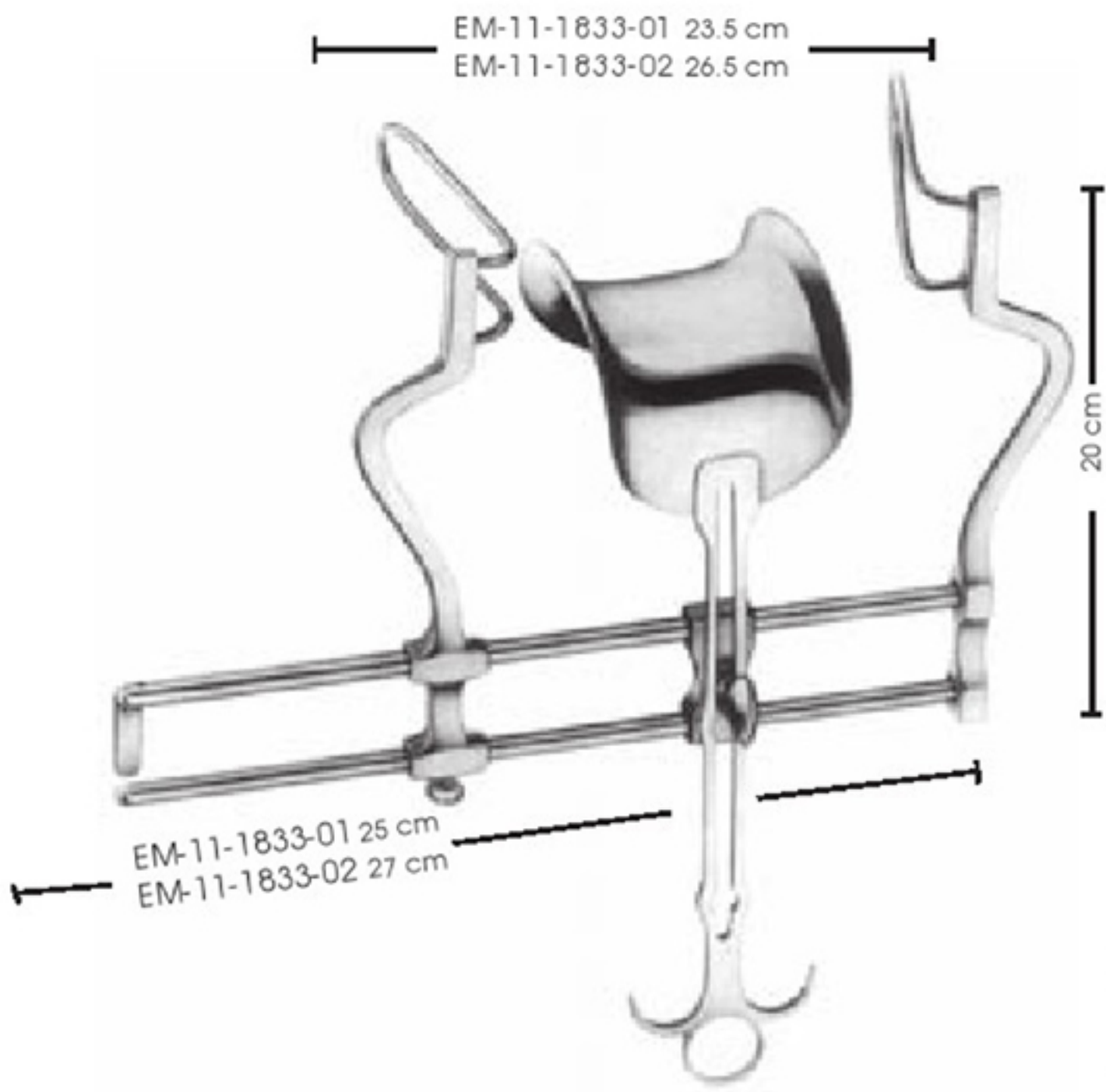
EM-11-1824-04 61 x 80 mm



GOSSET
EM-11-1830
Lateral blades 58 mm
Orta bleyd EM-11-1832-01
Center blade 59 x 57 mm

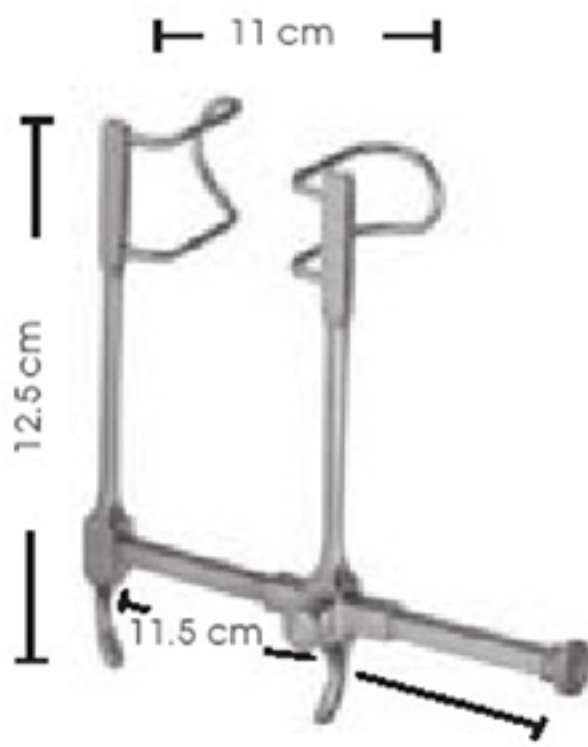


BALFOUR
EM-11-1831
Lateral blades 60 mm
Orta bleyd EM-11-1832-0
Center blade 47 x 80 m



BALFOUR
EM-11-1833-01 - 1833-02

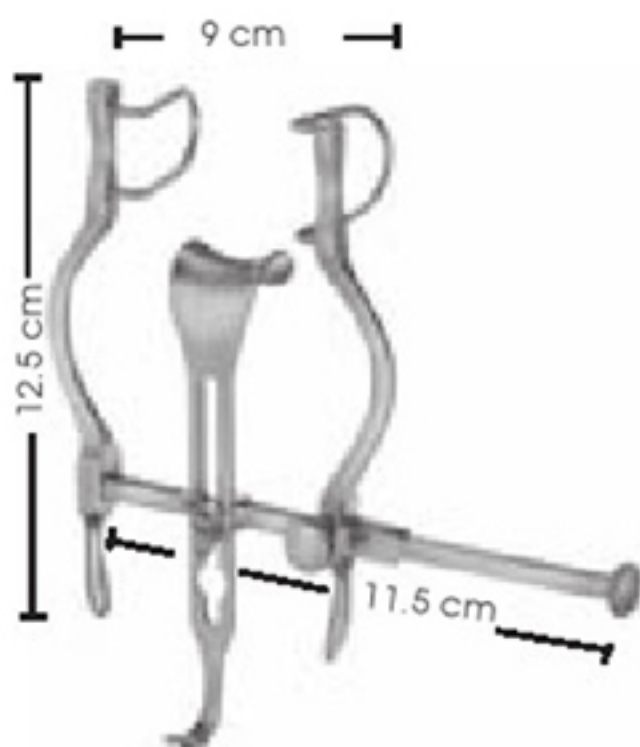
| | | |
|----------------|---------------|---------------|
| Yan bleyd | EM-11-1833-01 | EM-11-1833-02 |
| Lateral blades | 60 mm | 90 mm |
| Orta bleyd | EM-11-1834-01 | EM-11-1834-02 |
| Center blade | 62 x 76 mm | 80 x 80 mm |



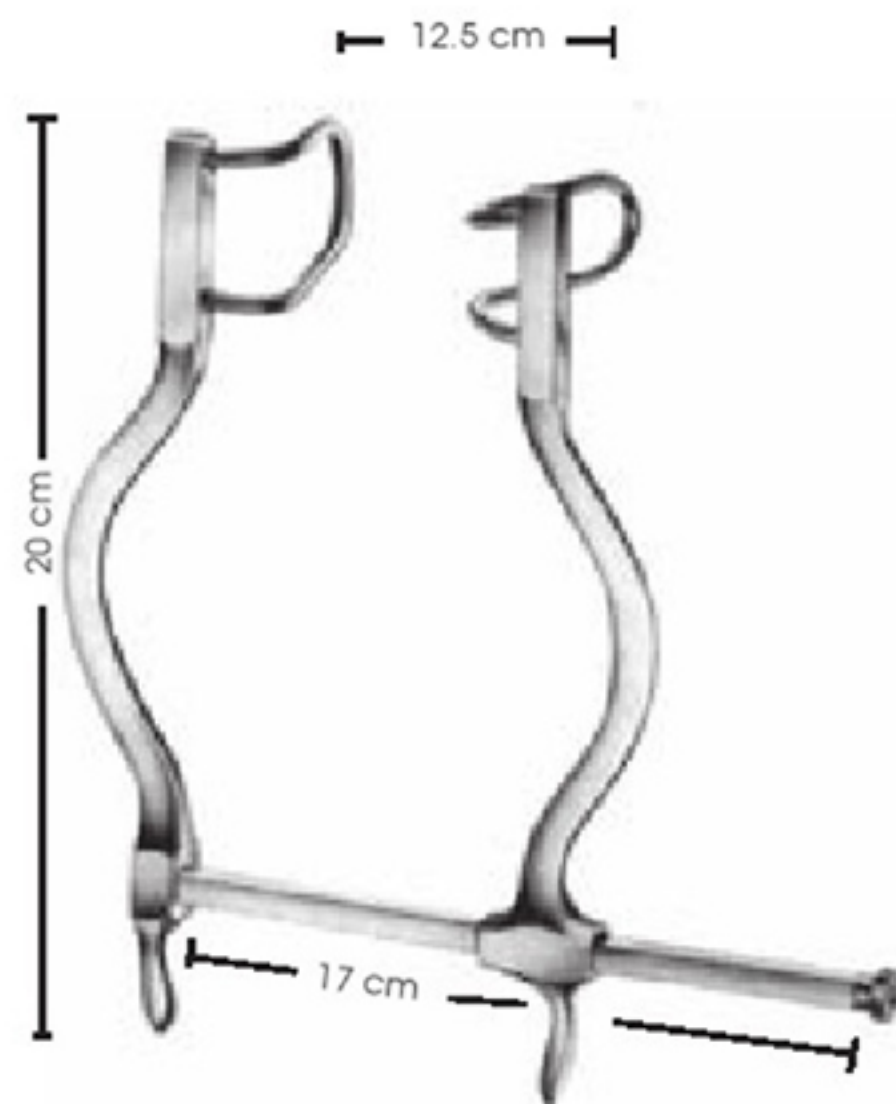
GOSSET
EM-11-1825
Blades 38 mm



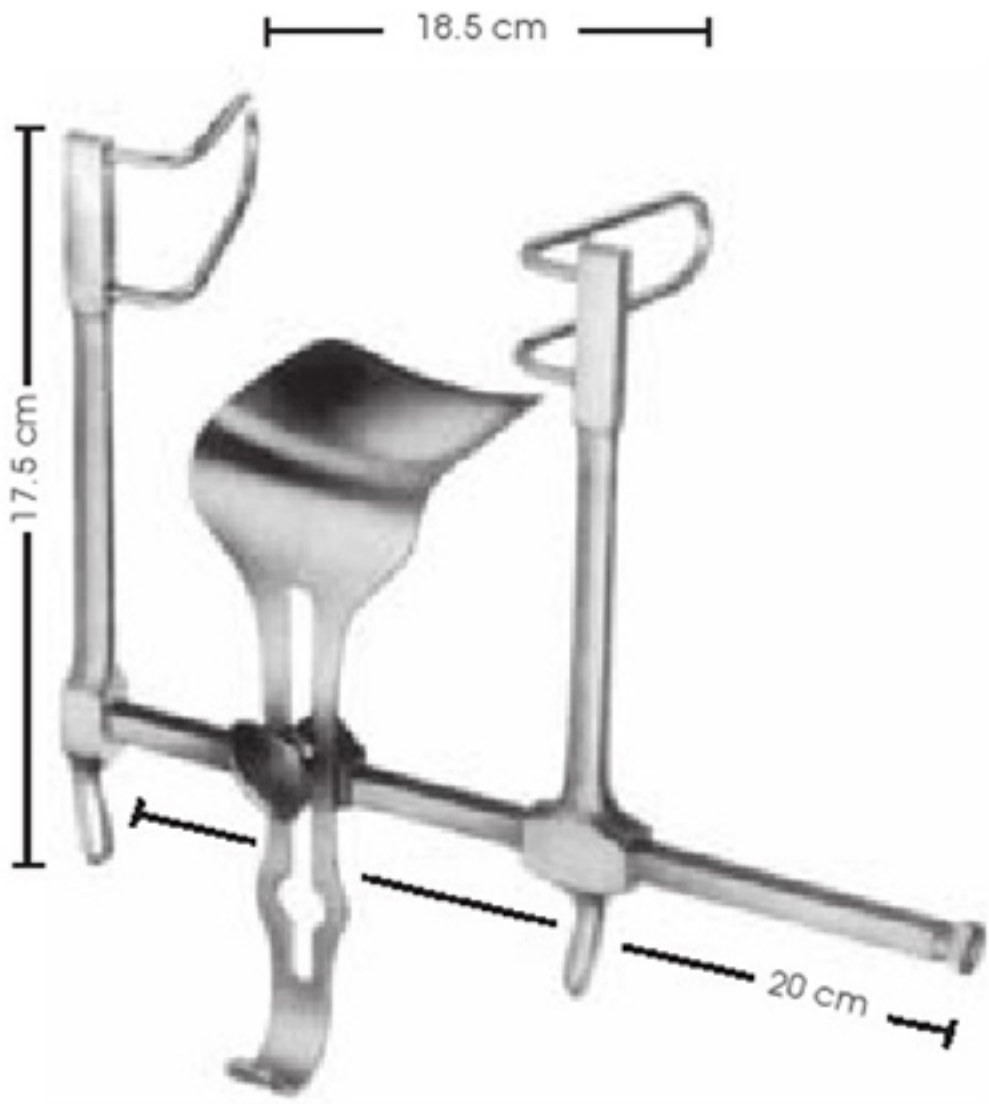
HERTZLER
EM-11-1826
Blades
20 x 25 mm



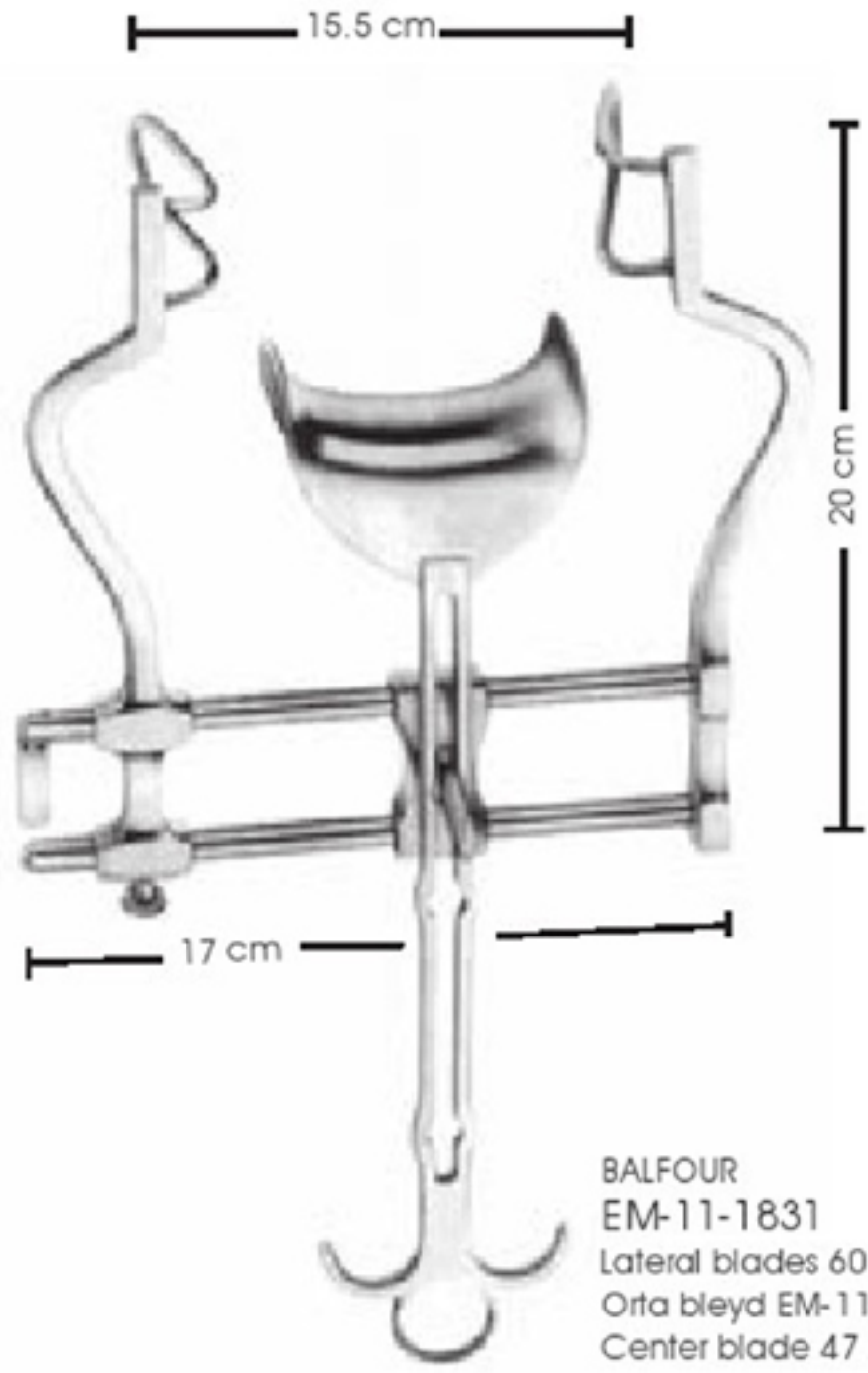
BALFOUR-BABY
EM-11-1827
Lateral blades 27 mm
Orta bleyd EM-11-1829
Center blade 21 x 24 mm



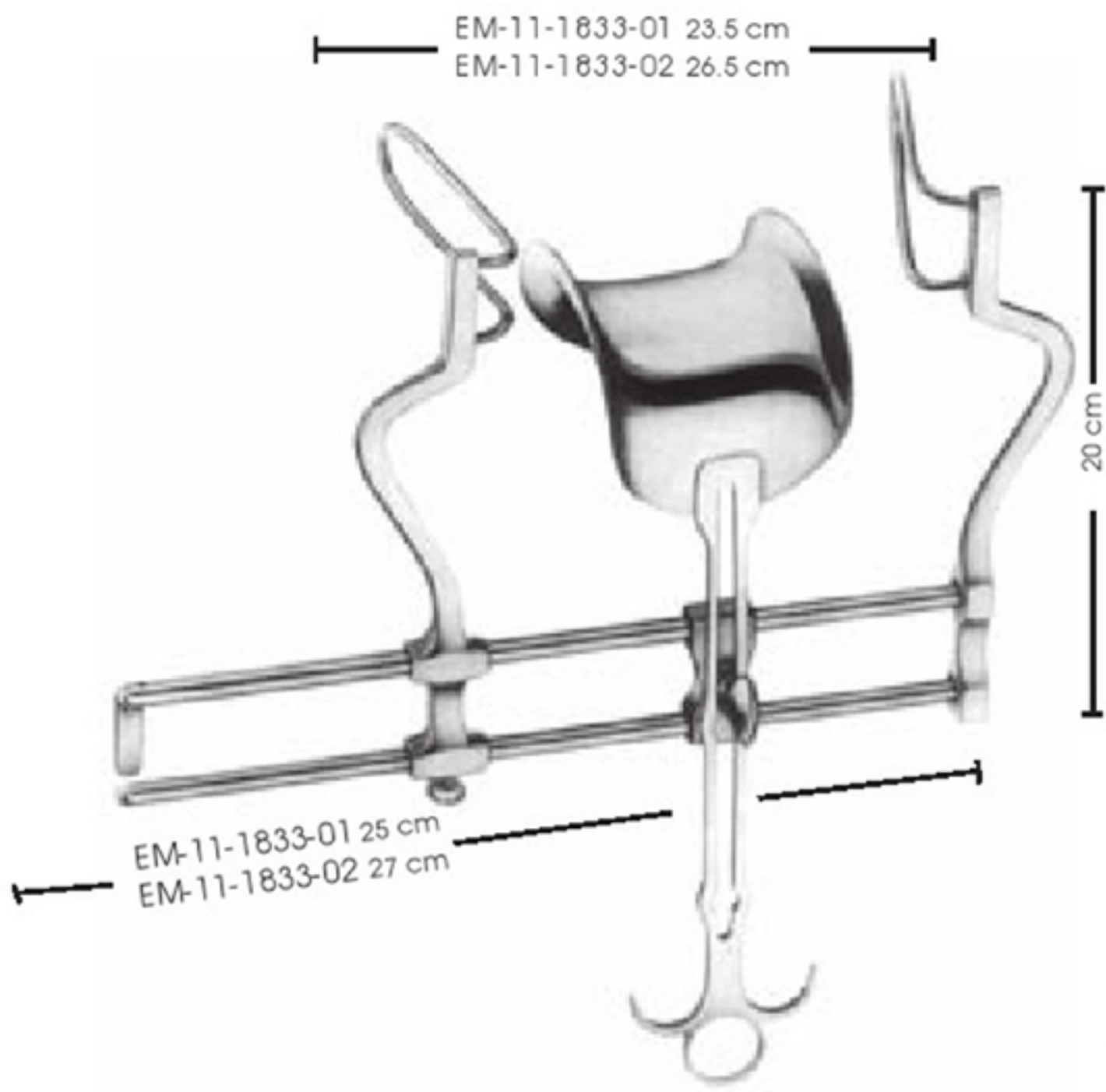
GOSSET
EM-11-1828
Blades 55 mm



GOSSET
EM-11-1830
Lateral blades 58 mm
Orta bleyd EM-11-1832-01
Center blade 59 x 57 mm

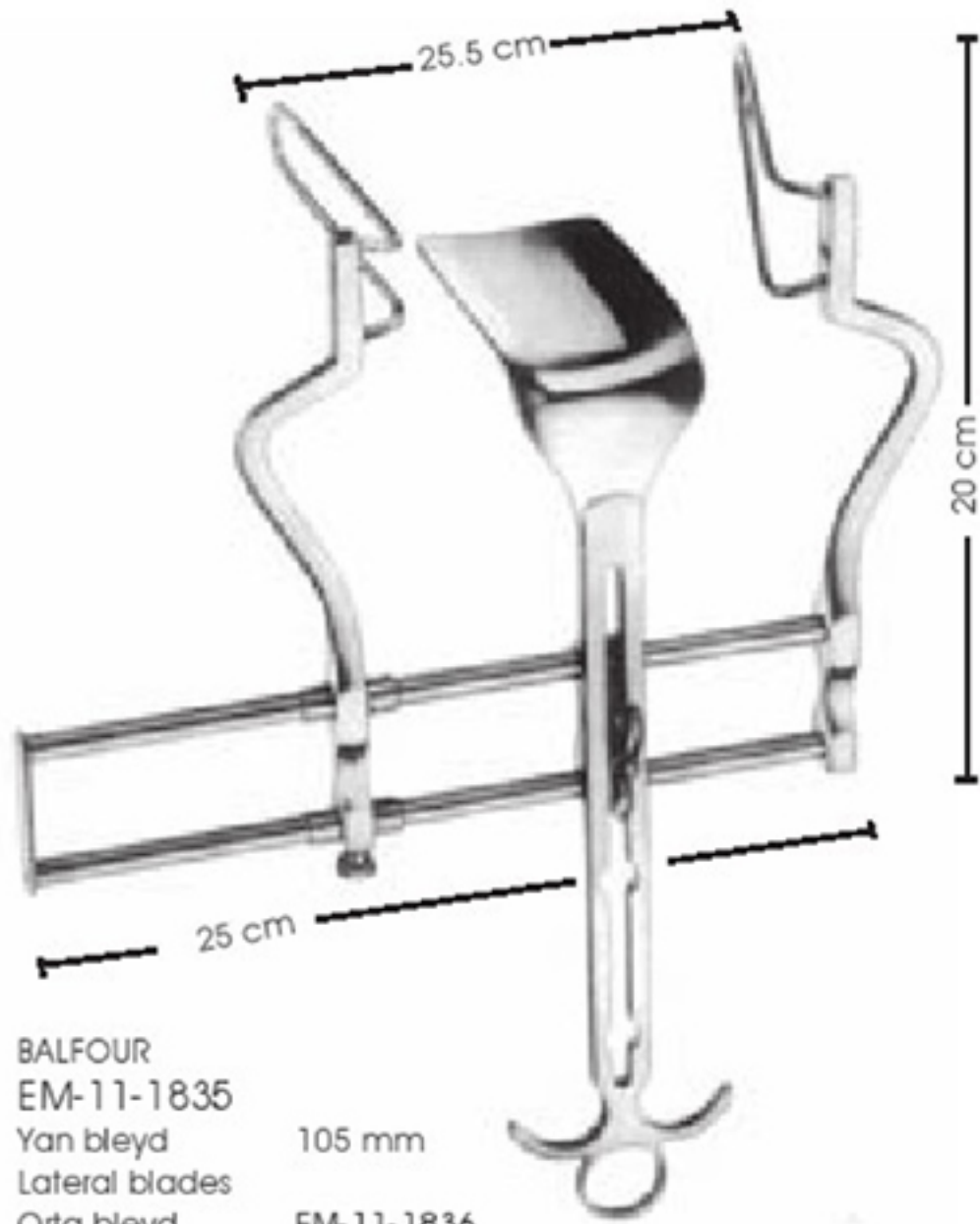


BALFOUR
EM-11-1831
Lateral blades 60 mm
Orta bleyd EM-11-1832-0
Center blade 47 x 80 m



BALFOUR
EM-11-1833-01 - 1833-02

| | | |
|----------------|------------------------|------------------------|
| Yan bleyd | EM-11-1833-01 60 mm | EM-11-1833-02 90 mm |
| Lateral blades | | |
| Orta bleyd | EM-11-1834-01 | EM-11-1834-02 |
| Center blade | 62 x 76 mm | 80 x 80 mm |

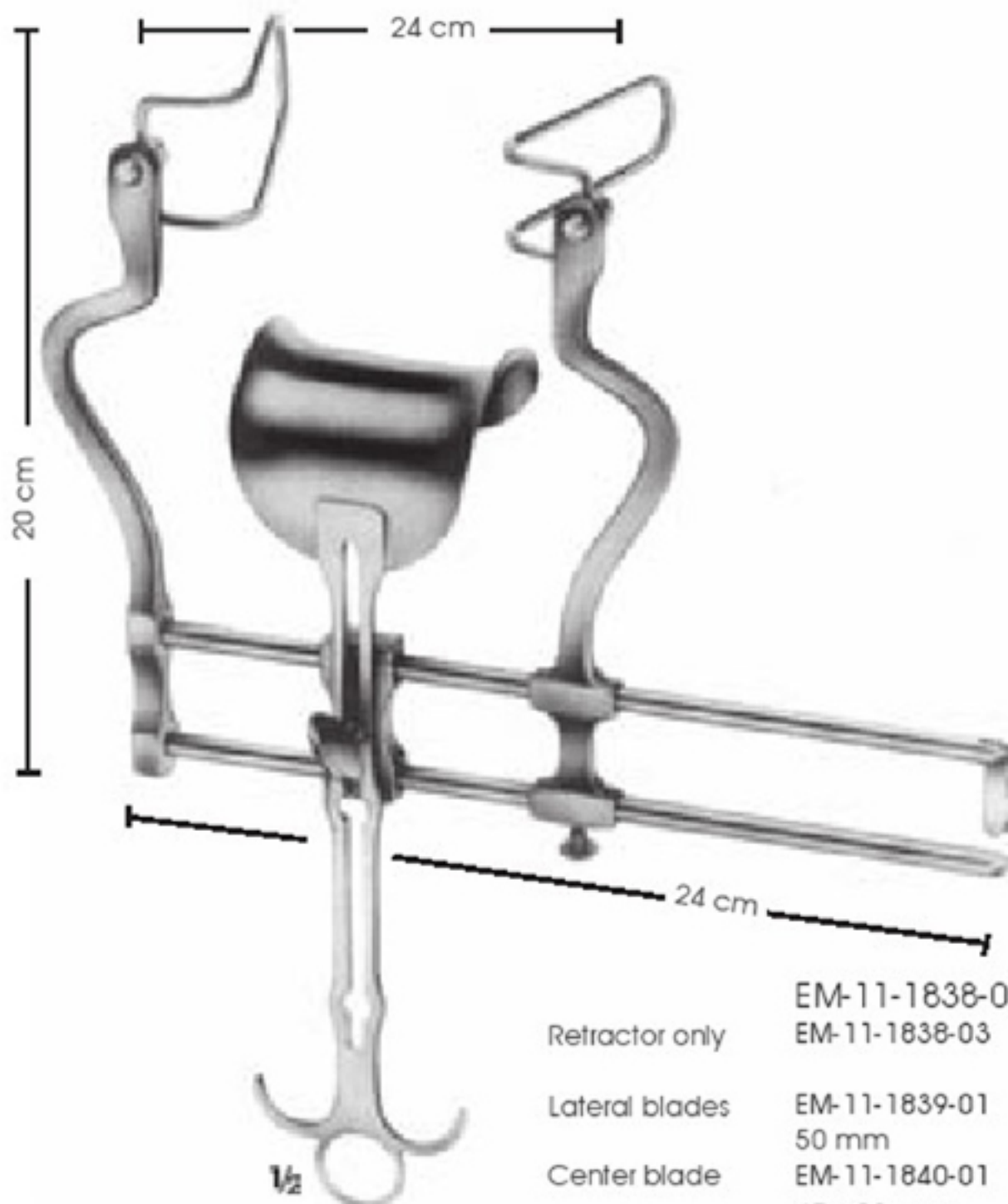


BALFOUR
EM-11-1835
Yan bleyd 105 mm
Lateral blades EM-11-1836
Orta bleyd EM-11-1836
Center blade 107 x 59 mm



EM-11-1837-01
Center blade
54 x 80 mm

EM-11-1837-02
Center blade, slotted for
retropubie prostatectomy
75 x 80 mm

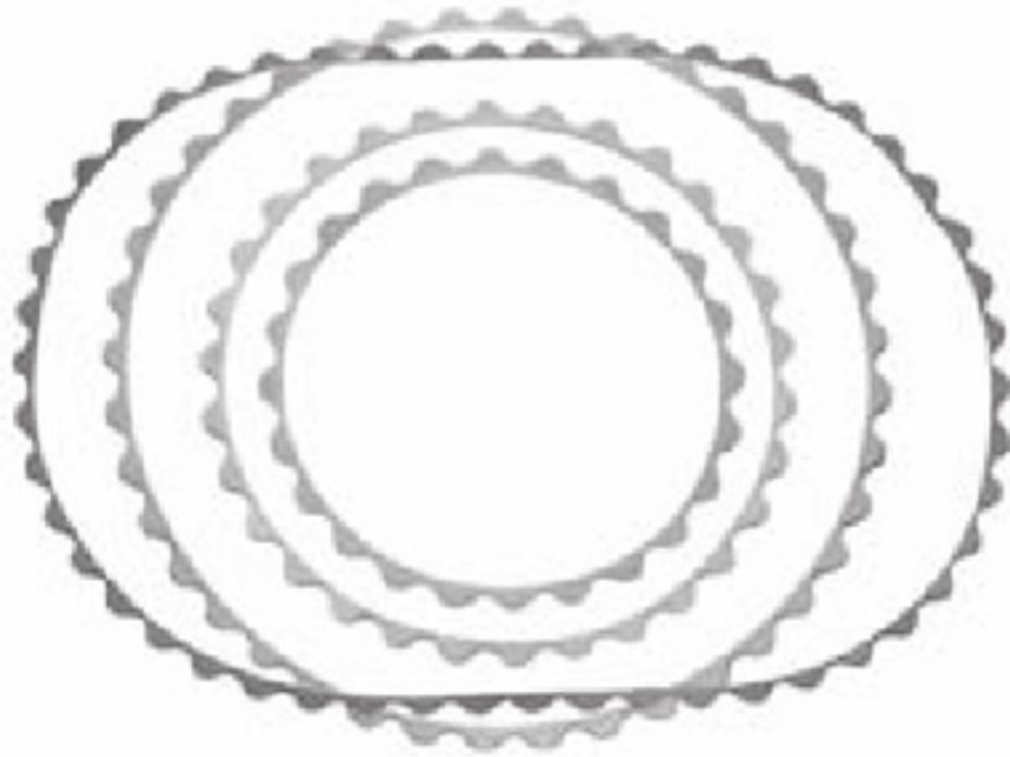


BALFOUR
EM-11-1838-01 1838-04
Complete



EM-11-1839-01 50 mm
EM-11-1839-02 60 mm
EM-11-1839-03 75 mm
EM-11-1839-04 90 mm
Lateral Blades

| | | | | |
|----------------|--------------------------------|--------------------------------|--------------------------------|--------------------------------|
| Retractor only | EM-11-1838-01 EM-11-1838-03 | EM-11-1838-02 EM-11-1838-03 | EM-11-1838-03 EM-11-1838-03 | EM-11-1838-04 EM-11-1838-03 |
| Lateral blades | EM-11-1839-01 50 mm | EM-11-1839-02 60 mm | EM-11-1839-03 75 mm | EM-11-1839-04 90 mm |
| Center blade | EM-11-1840-01 47 x 80 mm | EM-11-1840-02 62 x 76 mm | EM-11-1840-03 80 x 80 mm | EM-11-1840-04 80 x 80 mm |



TURNER-WARWICK
EM-11-1844-02 Ø 18 cm
EM-11-1844-03 Ø 23 cm
EM-11-1844-04 Ø 30.5 cm
Ekarör çemberi, yuvarlak
Retractor frame, round
EM-11-1844-05
Ekarör çemberi, oval
Retractor frame, oval
457 x 330 mm



TURNER-WARWICK
EM-11-1844-01 Complete
EM-11-1844-02 1 each
EM-11-1844-04 1 each
EM-11-1844-06 2 each
EM-11-1844-07 2 each
EM-11-1844-08 2 each
EM-11-1844-09 2 each
EM-11-1844-10 2 each
EM-11-1844-11 2 each
EM-11-1844-14 2 each

EM-11-1844-06
13 mm



EM-11-1844-07
51 x 38 mm



EM-11-1844-08
76 x 60 mm



EM-11-1844-09
89 x 60 mm



EM-11-1844-10
114 x 60 mm



EM-11-1844-11
Malleable
76 x 19 mm



EM-11-1844-12
Malleable
102 x 38 mm

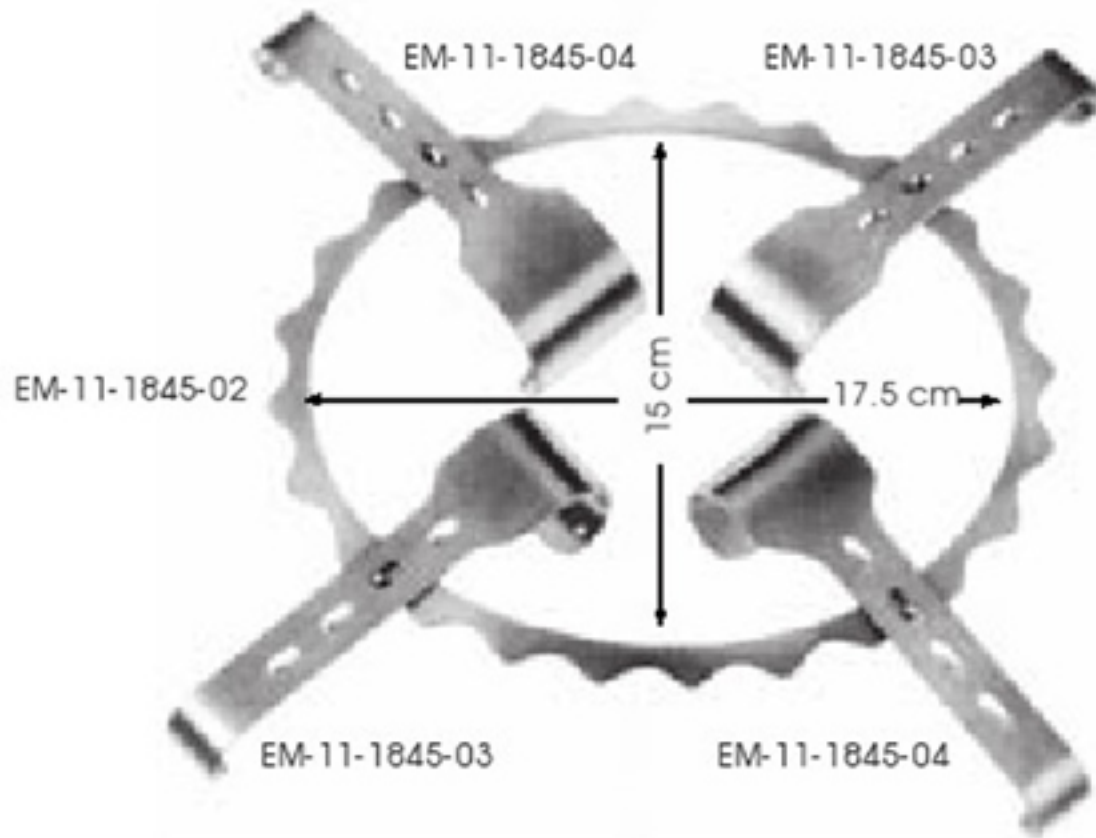


EM-11-1844-13
Malleable
89 x 57 mm



EM-11-1844-14
Malleable
114 x 57 mm





DENNIS-BROWNE
EM-11-1845-01
Complete

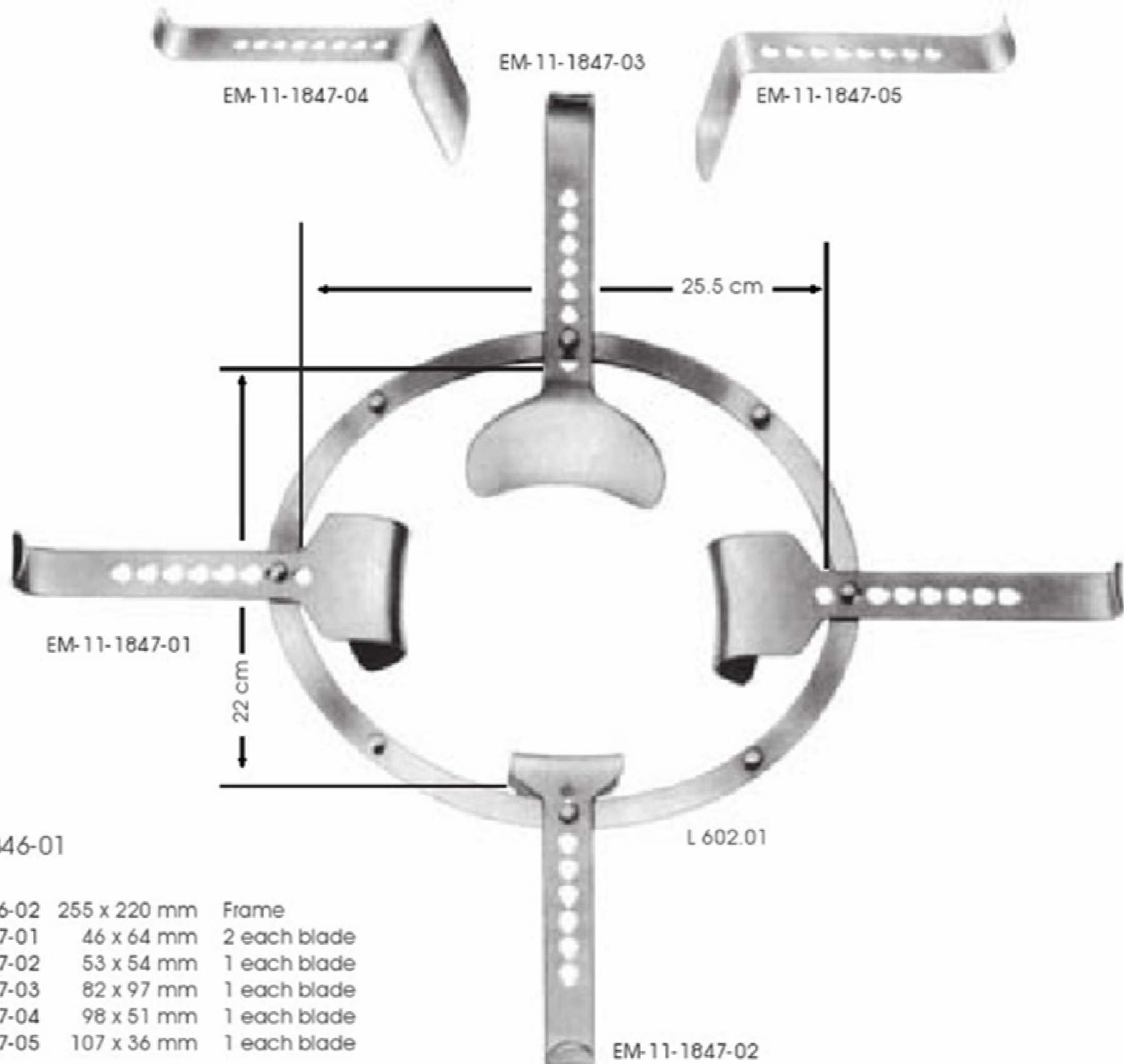
- EM-11-1845-02 175 x 150 mm Frame
- EM-11-1845-03 40 x 30 mm 2 each blades
- EM-11-1845-04 40 x 40 mm 2 each blades



EM-11-1845-05
1 each blade
20 x 30 mm

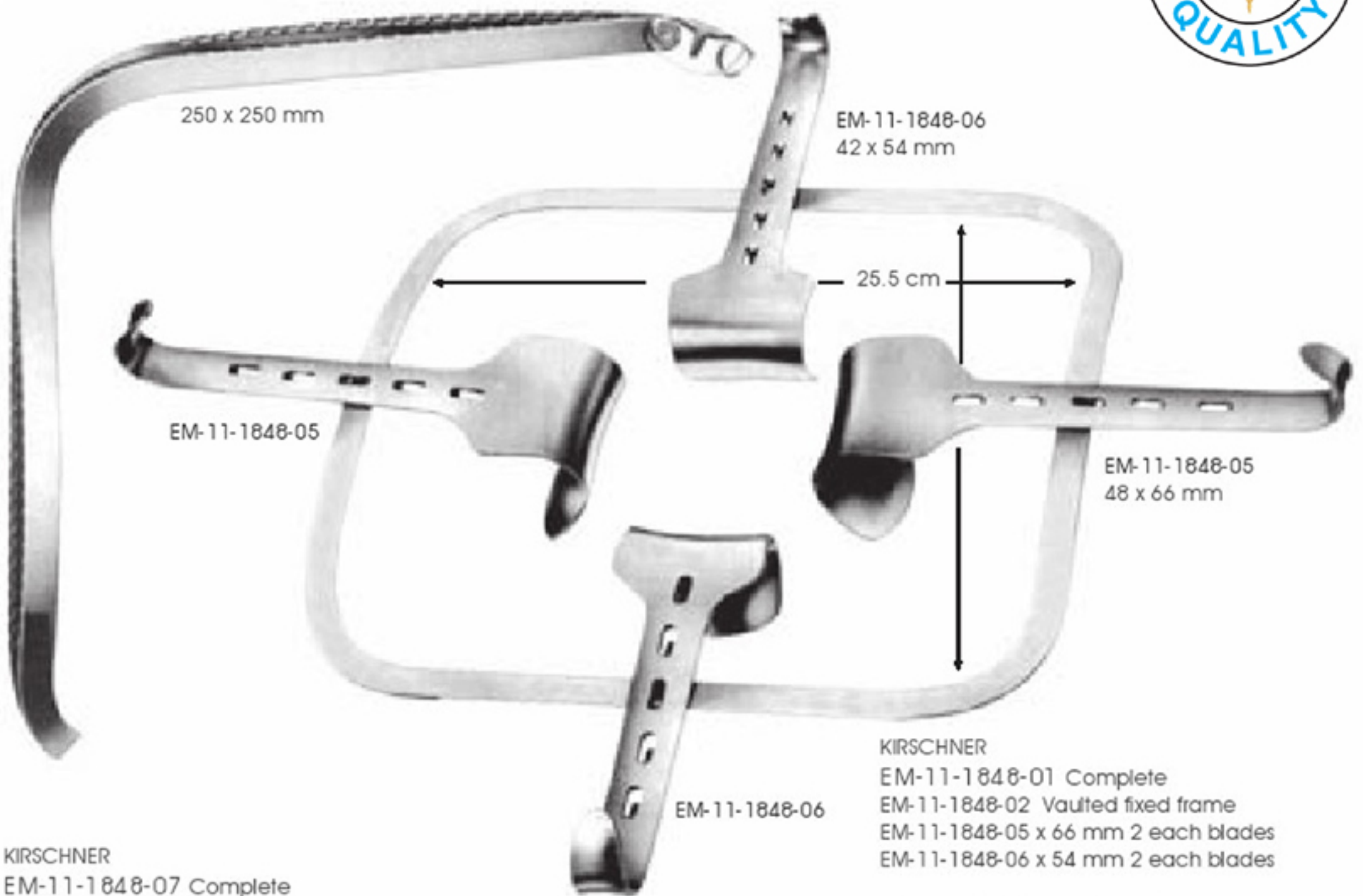


EM-11-1845-06
1 each blade
20 x 40 mm



SEMM
EM-11-1846-01
Complete

- EM-11-1846-02 255 x 220 mm Frame
- EM-11-1847-01 46 x 64 mm 2 each blade
- EM-11-1847-02 53 x 54 mm 1 each blade
- EM-11-1847-03 82 x 97 mm 1 each blade
- EM-11-1847-04 98 x 51 mm 1 each blade
- EM-11-1847-05 107 x 36 mm 1 each blade



KIRSCHNER
EM-11-1848-07 Complete
EM-11-1848-08 Holding frame
EM-11-1848-05 48 x 66 mm 2 each blades
EM-11-1848-06 42 x 54 mm 2 each blades

KIRSCHNER
EM-11-1848-01 Complete
EM-11-1848-02 Vaulted fixed frame
EM-11-1848-05 x 66 mm 2 each blades
EM-11-1848-06 x 54 mm 2 each blades

EM-11-1848-03 275 x 355 mm
Frame only, over-sized

EM-11-1848-04 295 x 275 mm
Frame only



KIRSCHNER
EM-11-1848-09
64 x 80 mm

KIRSCHNER-BALFOUR
EM-11-1848-10
80 x 82 mm

KIRSCHNER
EM-11-1848-11 90 x 69 mm
EM-11-1848-13 95 x 95 mm
EM-11-1848-15 78 x 58 mm

KIRSCHNER
EM-11-1848-12 108 x 42 mm
EM-11-1848-14 91 x 55 mm
EM-11-1848-16 120 x 55 mm



EM-11-1849-02
60 x 50 mm



EM-11-1849-03
40 x 35 mm



EM-11-1850-03
57 x 25 mm



EM-11-1849-01 Complete
Popliteal Retractor
EM-11-1849-01 Retractor only
EM-11-1849-02 Blades pair blunt 60 x 50 mm
Blades pair semi-sharp 40 x 35 mm



MILLIN
EM-11-1850-01 Complete
Bladder Retractor
EM-11-1850-02 Retractor only
EM-11-1850-03 Blades 57 x 25 mm
EM-11-1850-04 Blades 82 x 25 mm
EM-11-1850-05 Center blade 105 x 45 mm

EM-11-1850-034
82 x 25 mm



LEGUEU
EM-11-1851
Bladder spatula
26 cm



ALLENBERG
EM-11-1852-02
Retractor only

ALLENBERG
EM-11-1852-01
Iliaca retractor complete
EM-11-1852-02 Retractor only
EM-11-1852-03 Lateral Blade 30 x 30 mm
EM-11-1852-04 Medial Blade 90 x 60 mm



ALLENBERG
EM-11-1852-03
Titanium
30 x 30 mm



ALLENBERG
EM-11-1852-04
Titanium
90 x 60 mm



ALLENBERG
EM-11-1853
Forceps for changing the blades
13 cm

Retractor system for optimal approach to the arteria iliaca communis.
The retractor blades are made out of titanium and therefore they are radiotransparent. The big medial retractor blade can be gradually adjusted during the operation. Because of the blades which are easy to exchange the retractor system can be used for the left and the right side.