



# Cardiovascular

## Herz-Kreislauf

Small(yellow)



Medium(blue)



Medium-large(green)



Large(orange)



Small(Yellow)



EM-15-2326-03 25° 28 cm  
EM-15-2327-02 65° 28 cm

Medium(blue)



EM-15-2328-03 25° 28 cm  
EM-15-2329-02 65° 28 cm

Medium-large(green)



EM-15-2330-02 25° 28 cm  
EM-15-2331-02 65° 28 cm  
EM-15-2332-02 90° 28 cm

Large(orange)



EM-15-2333-02 25° 28 cm  
EM-15-2334-02 65° 28 cm  
EM-15-2335-02 90° 28 cm





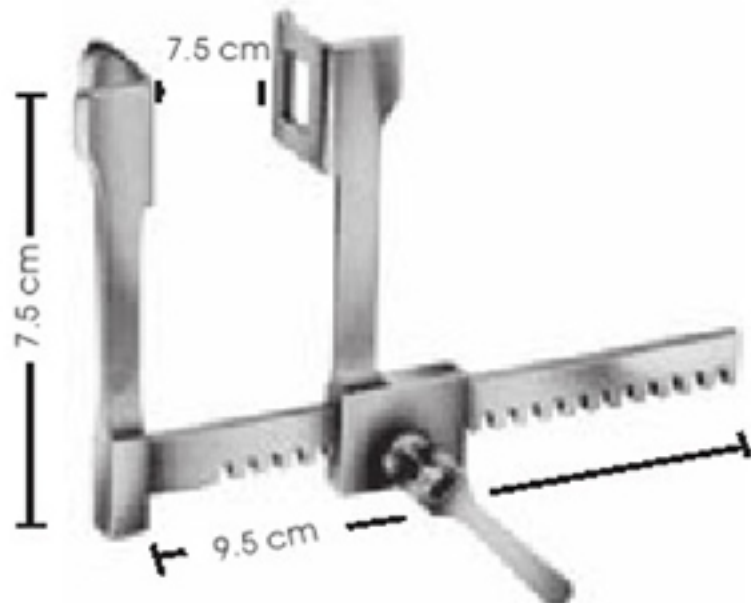


Measuremen system for rib retractor blades  
Depth : 1  
Width : 2  
  
Example: 1 x 2 mm

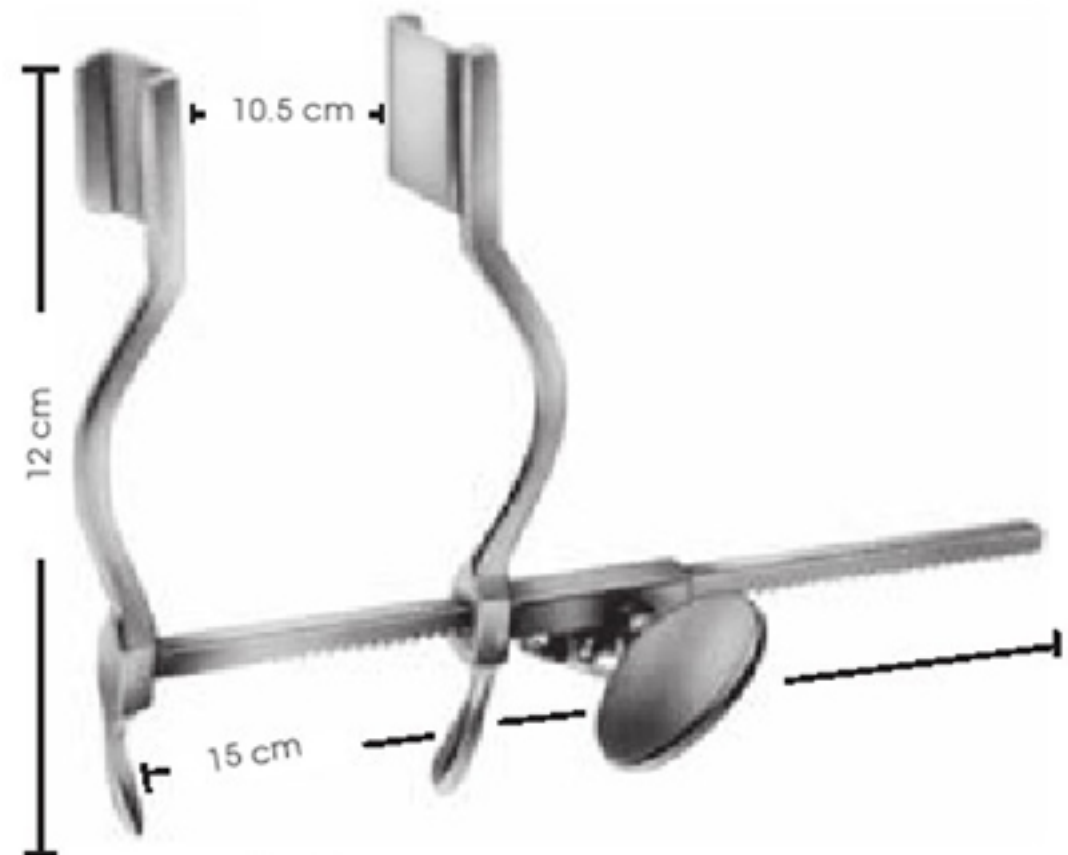


STRUCK  
EM-15-2336-01 Complete  
EM-15-2336-02 Retractor Only  
EM-15-2336-03 - 2336-07 Blades(pairs)

Blade(pair)



FINOCHIETTO  
EM-15-2337  
Blades  
18 x 21 mm



HERTZLER  
EM-15-2338  
Blades  
20 x 25 mm

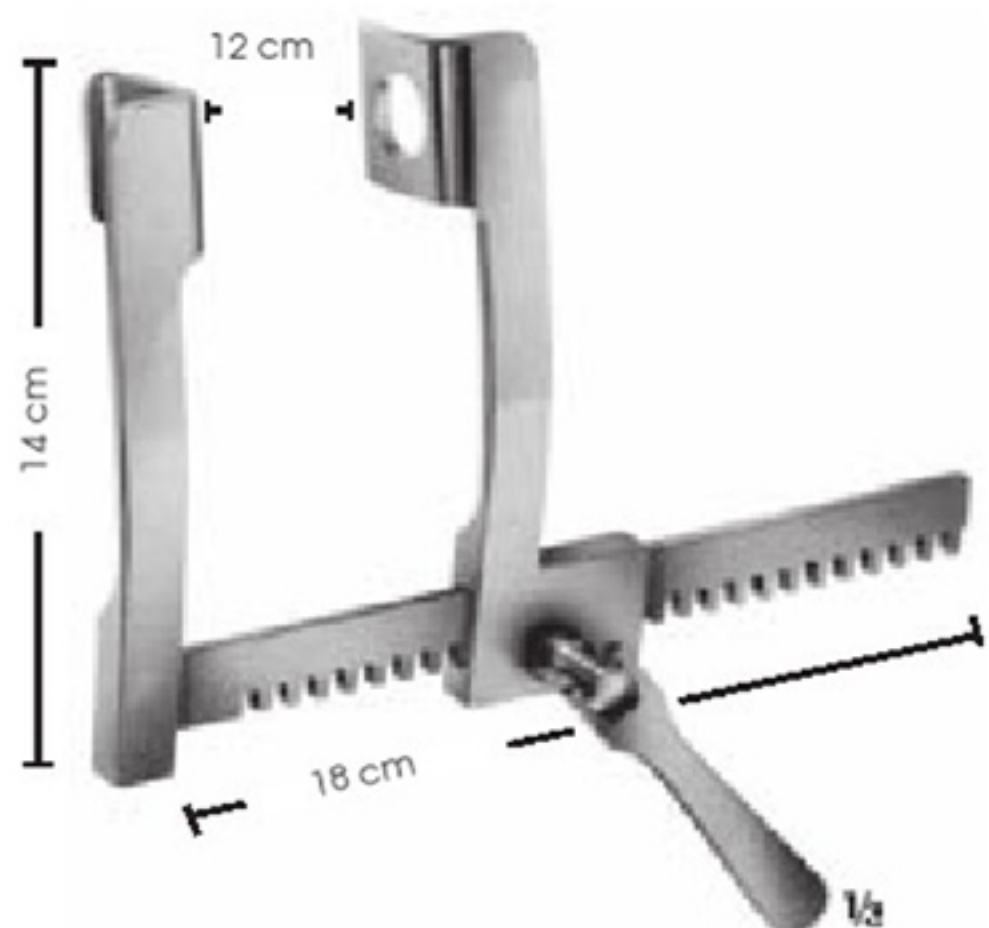




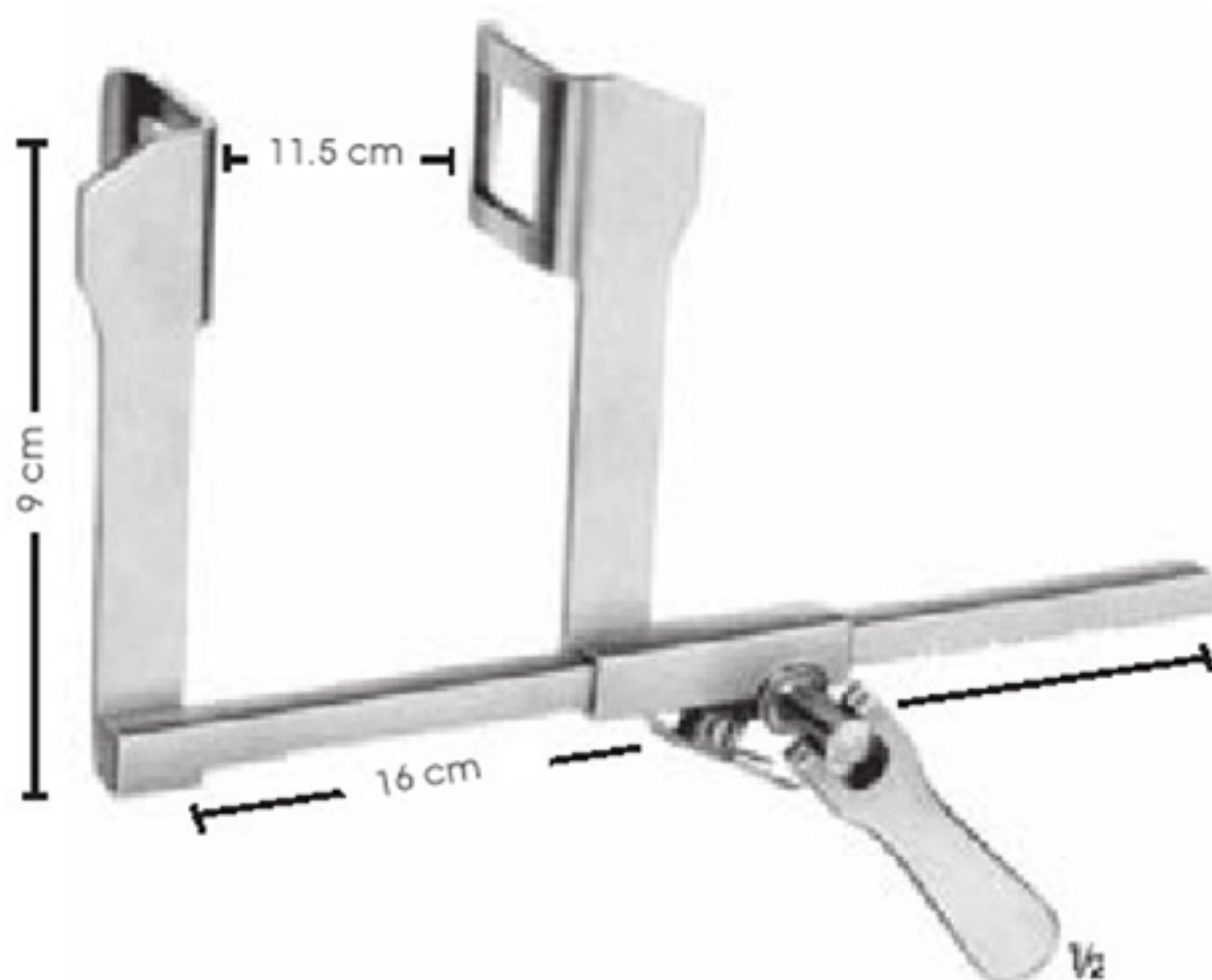
TUFFIER  
 EM-15-2339  
 Rib retractor for infants  
 Blades  
 32 x 19 mm



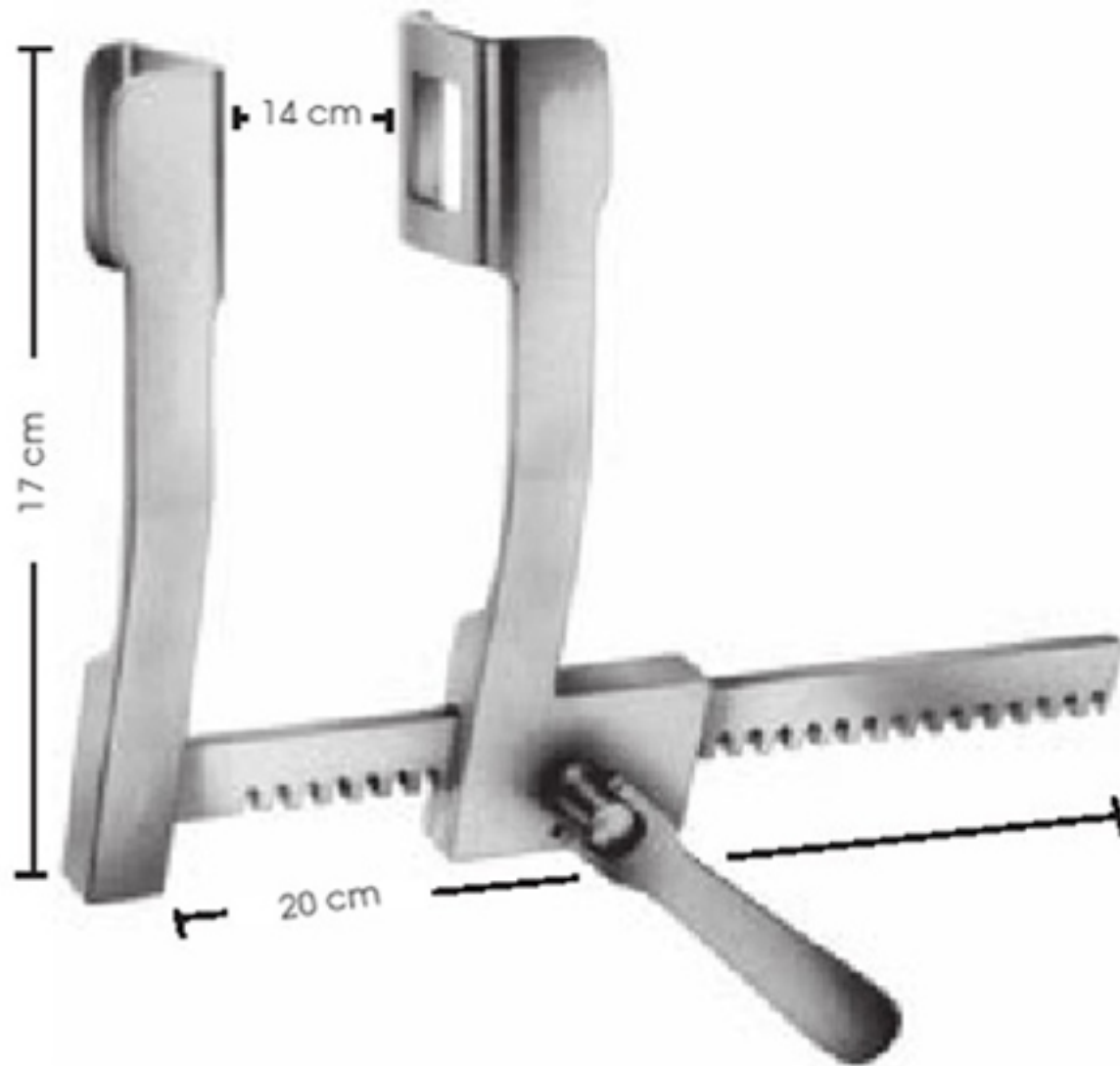
TUFFIER  
 EM-15-2340  
 Rib Retractor  
 Blades  
 43 x 53 mm



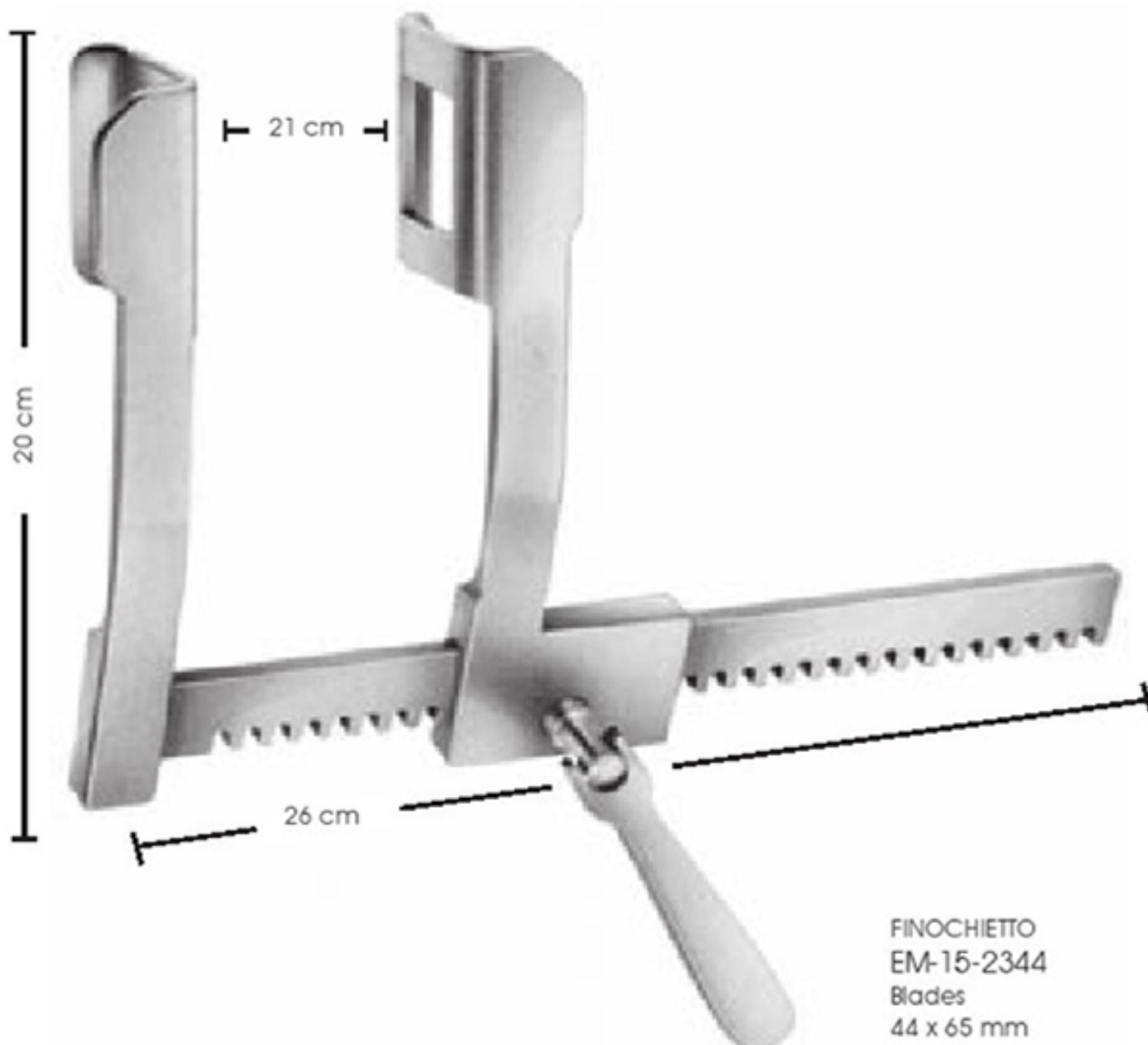
FINOCHIETTO  
 EM-15-2341  
 Rib retractor  
 Blades  
 28 x 32 mm



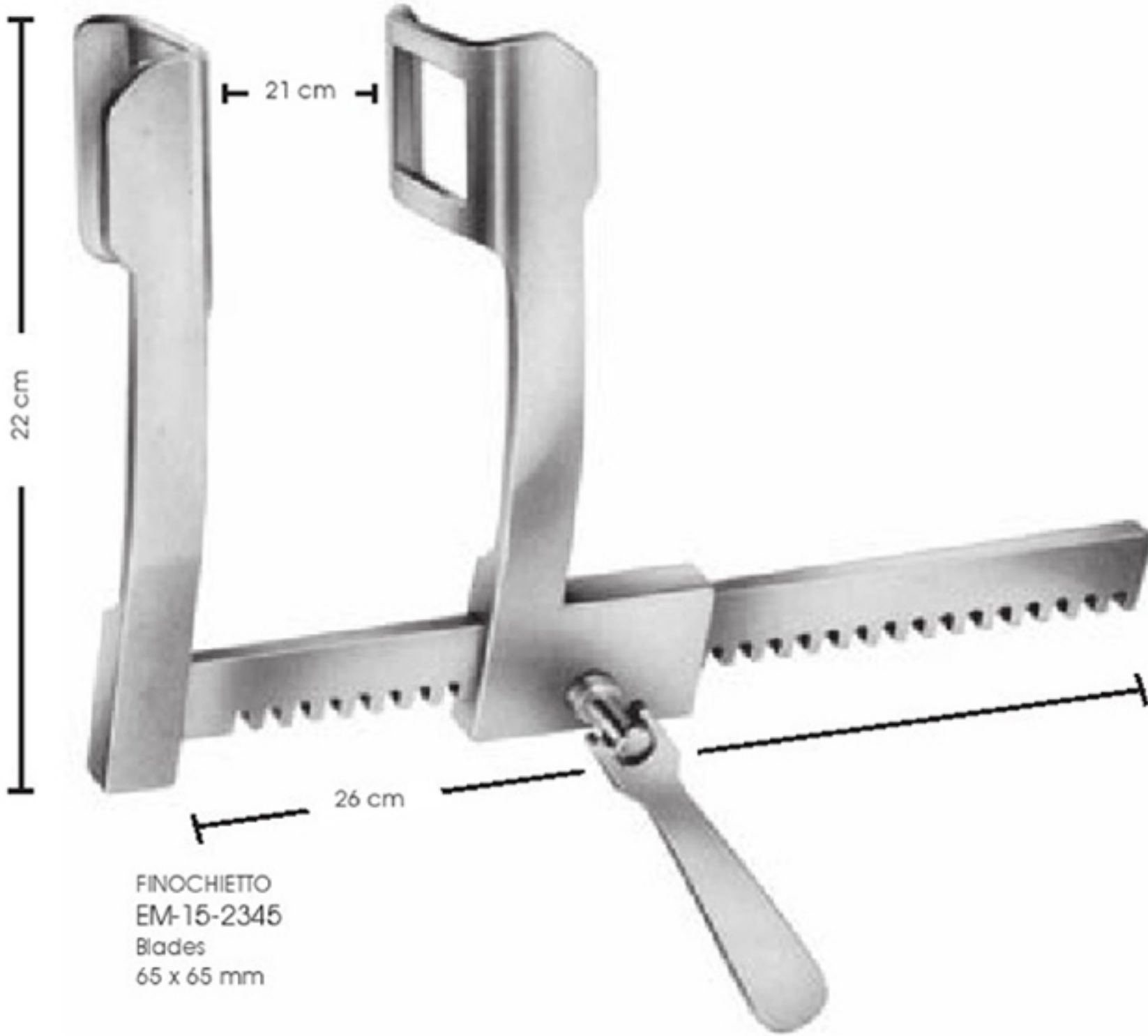
HAIGHT  
 EM-15-2342  
 Rib retractor  
 Blades  
 30 x 30 mm



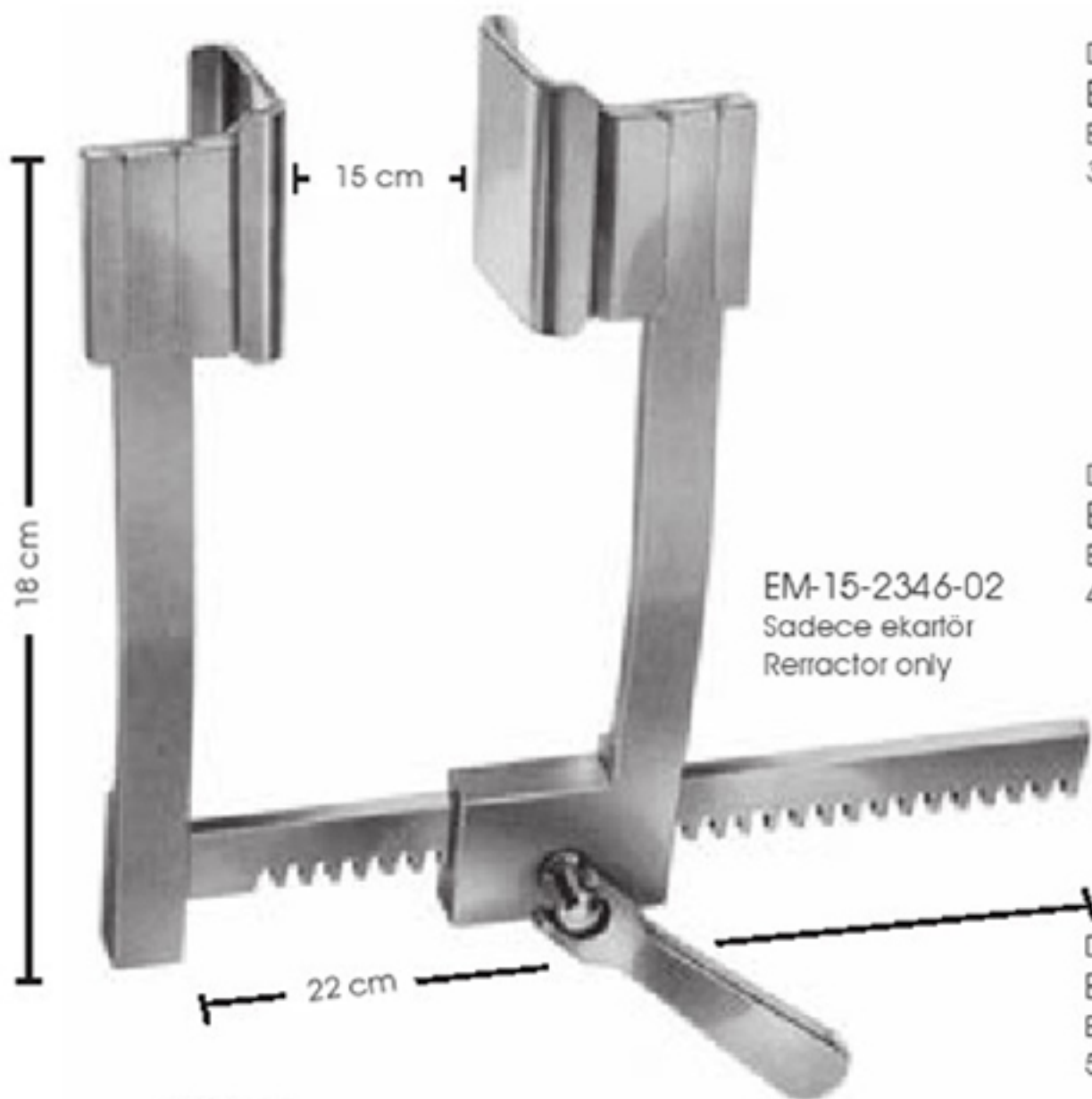
FINOCHIETTO  
EM-15-2343  
Blades  
36 x 45 mm



FINOCHIETTO  
EM-15-2344  
Blades  
44 x 65 mm



FINOCHIETTO  
EM-15-2345  
Blades  
65 x 65 mm



DE BAKEY  
EM-15-2346-01 Complete  
EM-15-2346-02 etractor only  
EM-15-2346-03 - 2346-05 Blades(pair)

DE BAKEY  
EM-15-2346-03  
Blades  
30 x 30 mm



DE BAKEY  
EM-15-2346-04  
Blades  
40 x 40 mm



DE BAKEY  
EM-15-2346-05  
Blades  
50 x 50 mm



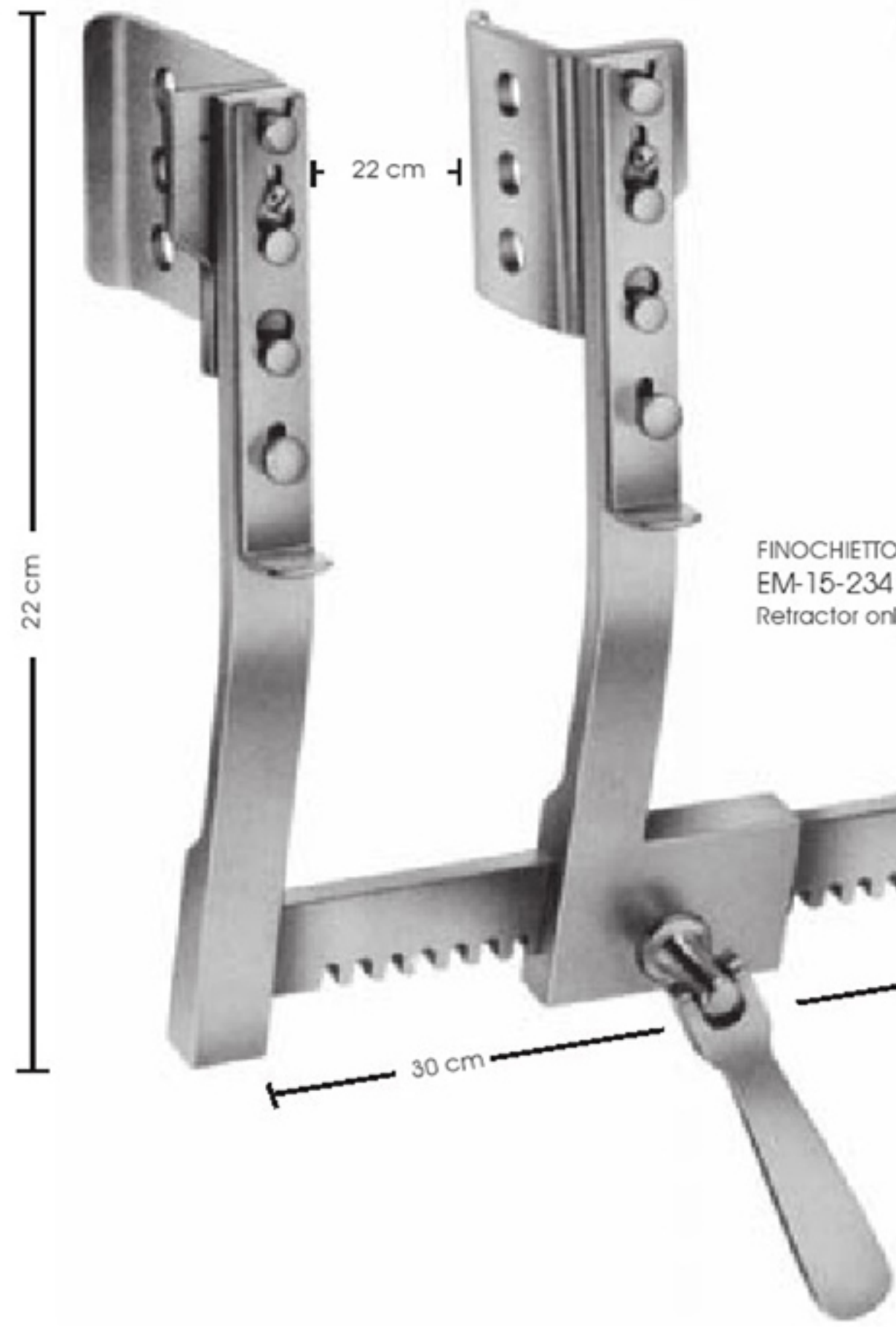




FINOCHIETTO-BURFORD  
EM-15-2347-04  
Blades  
75 x 64 mm



FINOCHIETTO-BURFORD  
EM-15-2347-03  
Blades  
45 x 64 mm

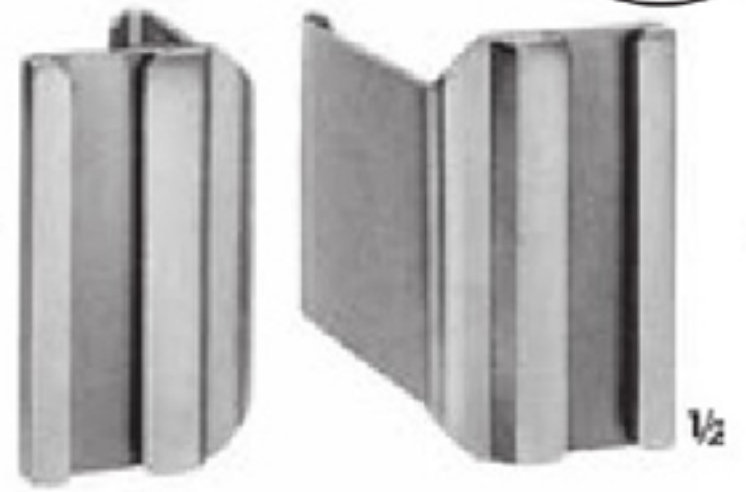


FINOCHIETTO-BURFORD  
EM-15-2347-02  
Retractor only

- FINOCHIETTO-BURFORD
- EM-15-2347-01 Komple/Complete
- EM-15-2347-02 Retractor only
- EM-15-2347-03 Blades(pairs)
- EM-15-2347-04 lades(pairs)

Avantaj Special Advantages :  
Improved fixing system for interchangeable blades

DE BAKEY  
EM-15-2348-07  
Blades  
60 x 60 mm



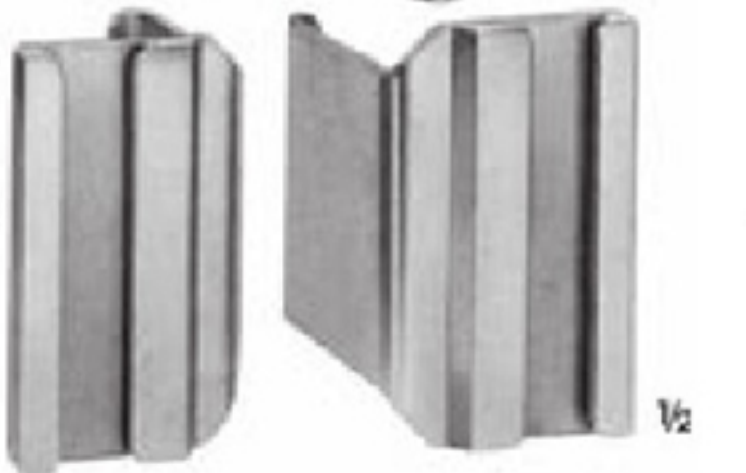
DE BAKEY  
EM-15-2348-06  
Blades  
50x 80 mm



DE BAKEY  
EM-15-2348-05  
Blades  
40 x 100 mm



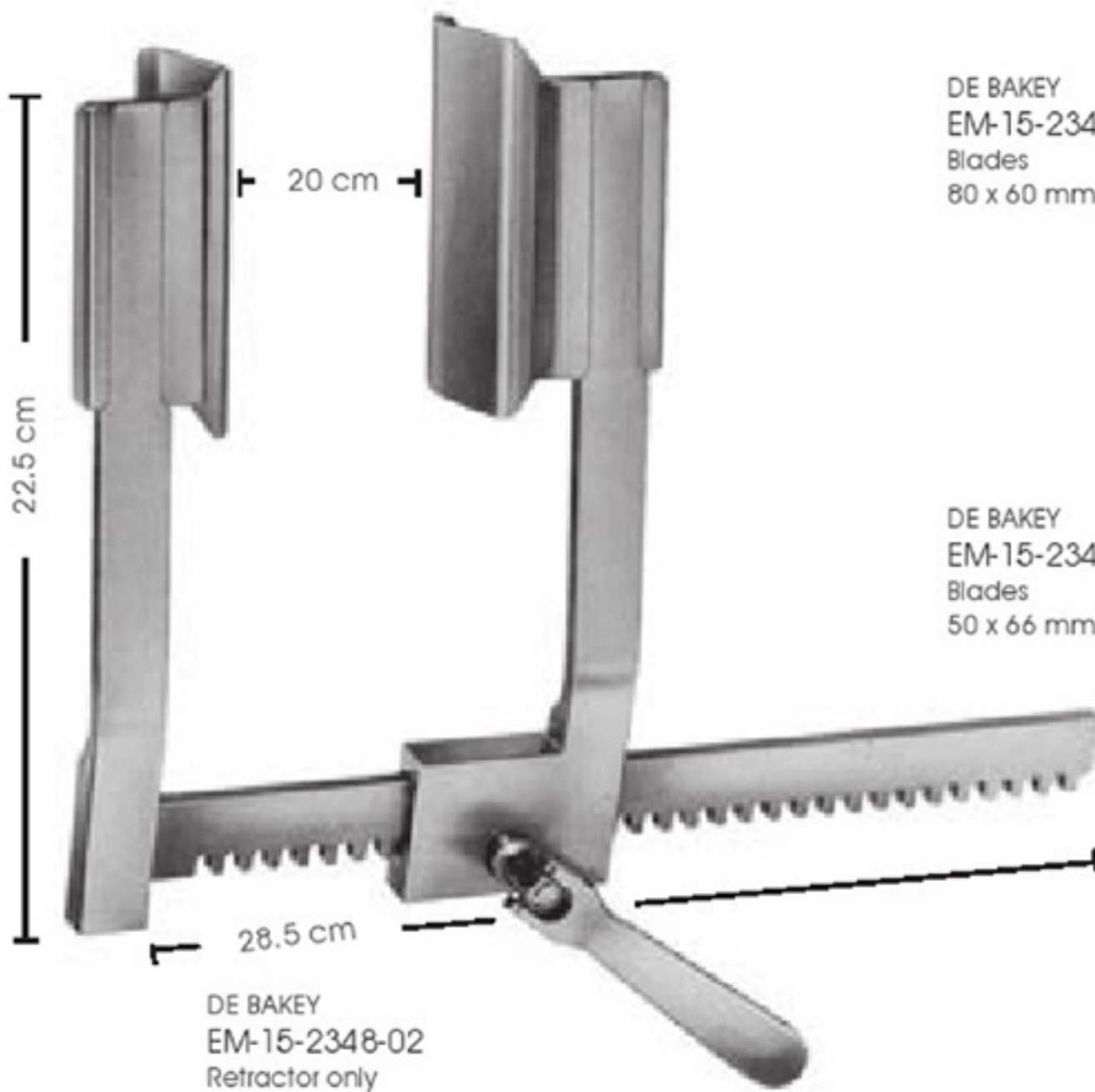
DE BAKEY  
EM-15-2348-04  
Blades  
80 x 60 mm



DE BAKEY  
EM-15-2348-03  
Blades  
50 x 66 mm

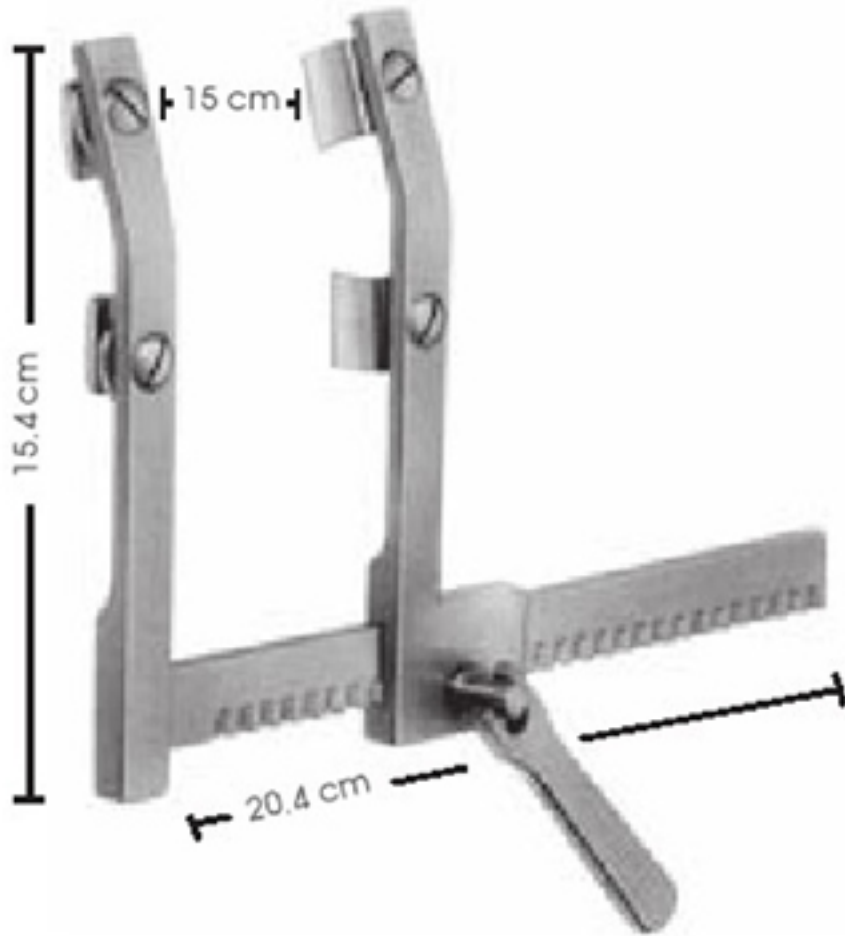


DE BAKEY  
EM-15-2348-01 Complete  
EM-15-2348-02 Retractor only  
EM-15-2348-05 Blades(pair)  
EM-15-2348-06 Blades(pair)  
EM-15-2348-07 Blades(pair)

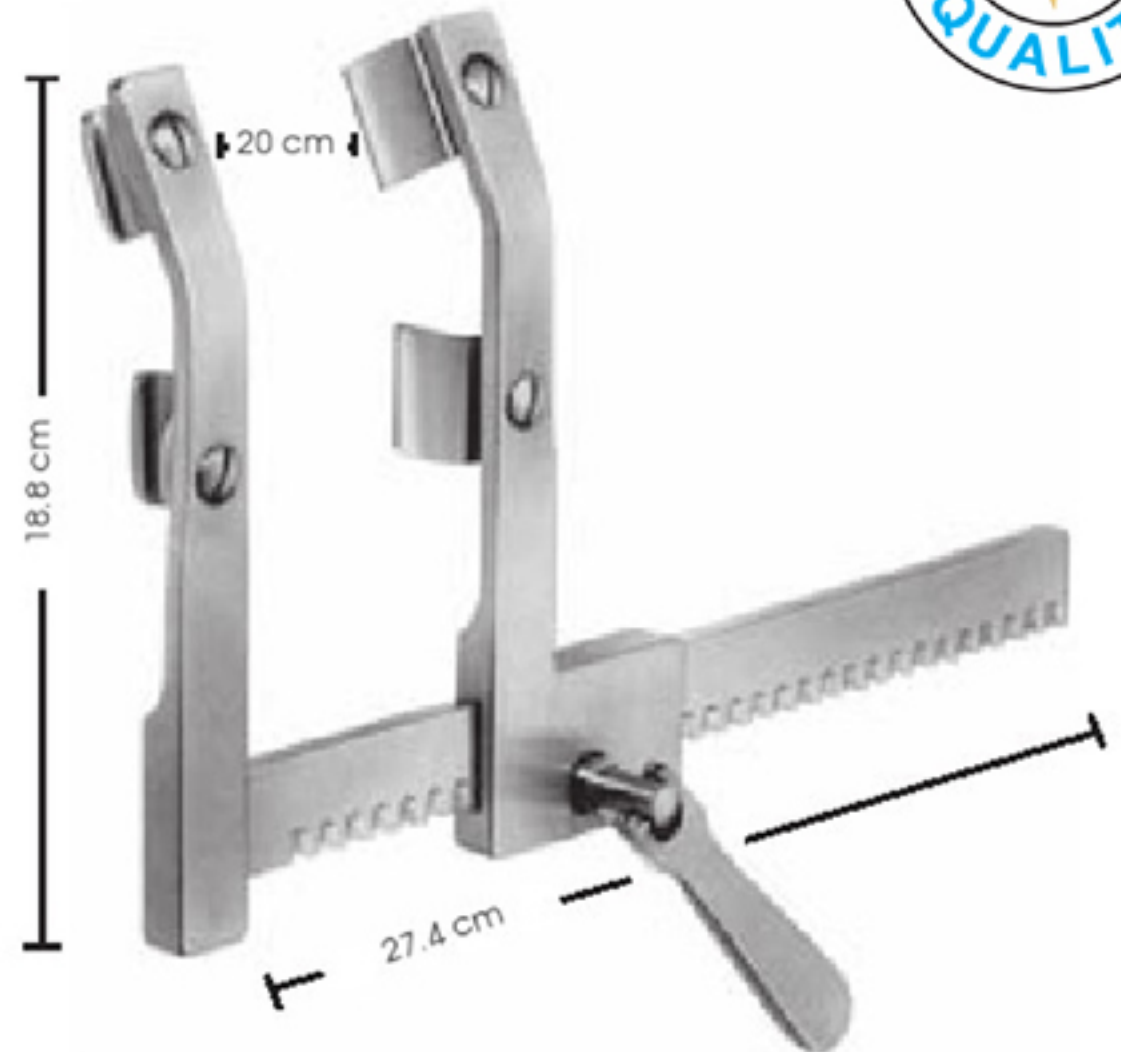


DE BAKEY  
EM-15-2348-02  
Retractor only

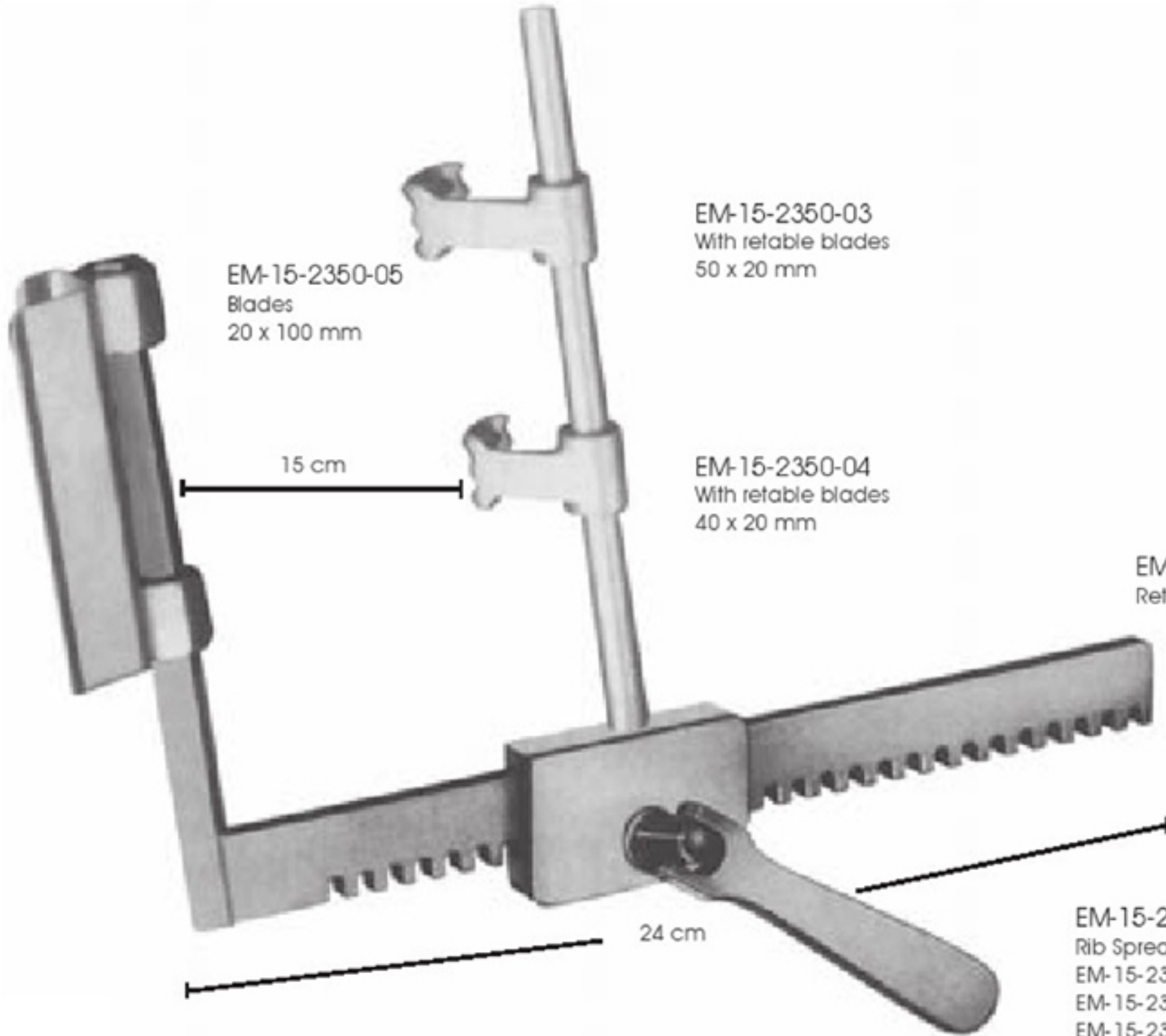




MORSE  
EM-15-2349-01  
Sternum spreaders  
For children with movable double blades  
Blade 12 x 20 mm



MORSE  
EM-15-2349-02  
Sternum spreaders  
For adults with movable double blades  
Blade 19 x 29 mm



EM-15-2350-05  
Blades  
20 x 100 mm

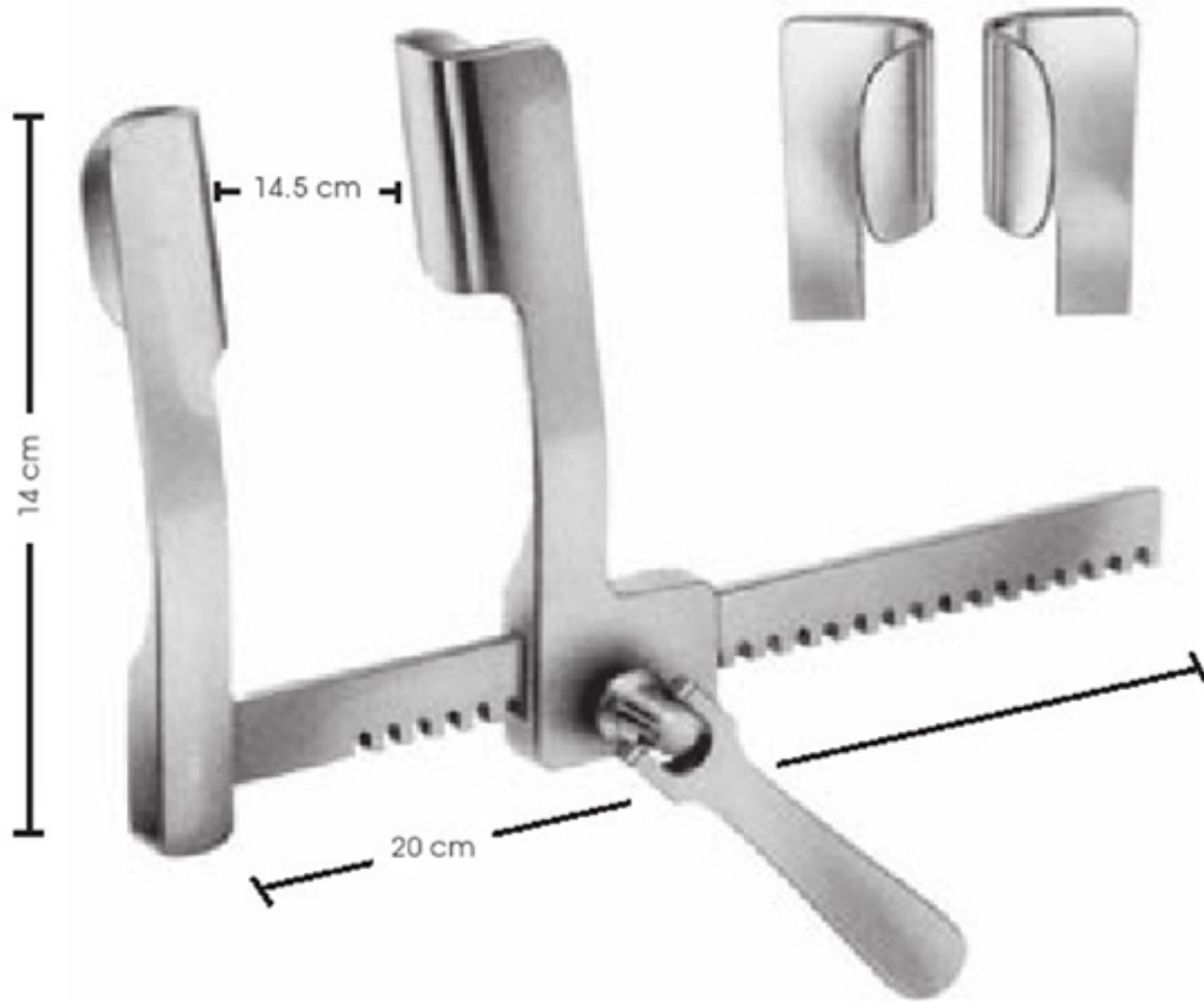
EM-15-2350-03  
With retable blades  
50 x 20 mm

EM-15-2350-04  
With retable blades  
40 x 20 mm

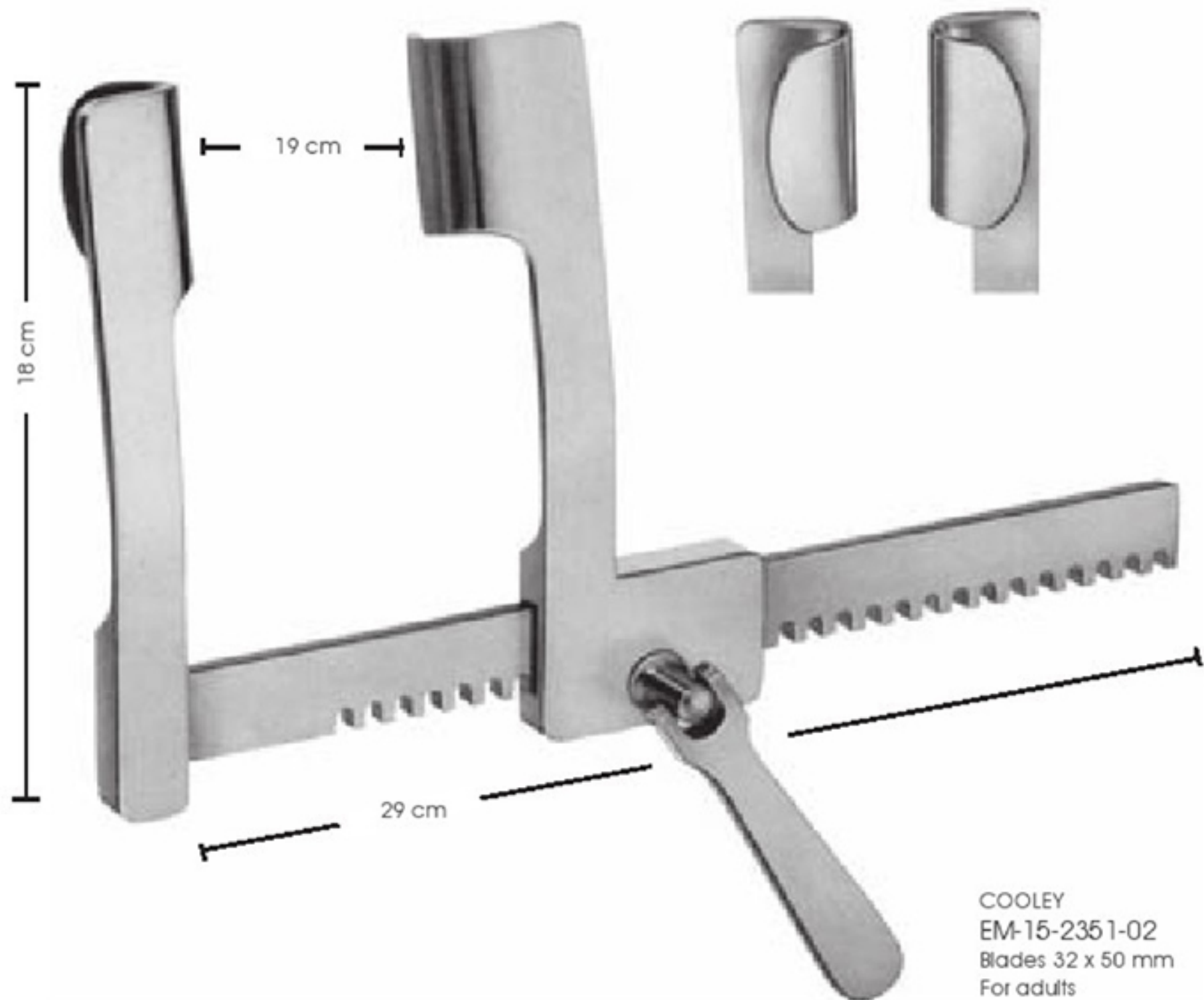
EM-15-2350-02  
Retractor only

EM-15-2350-01  
Rib Spreader complete  
EM-15-2350-02 Retractor only  
EM-15-2350-03 Blade(pair)  
EM-15-2350-04 Blade(pair)  
EM-15-2350-05 Blade(pair)





COOLEY  
EM-15-2351-01  
Blades 21 x 45 mm  
For children



COOLEY  
EM-15-2351-02  
Blades 32 x 50 mm  
For adults



Used as Sternum retractor or used for preparation of the arteria mammaria interna.



EM-15-2352-02  
 Retractor only



EM-15-2352-03  
 Mammaia blade, complete



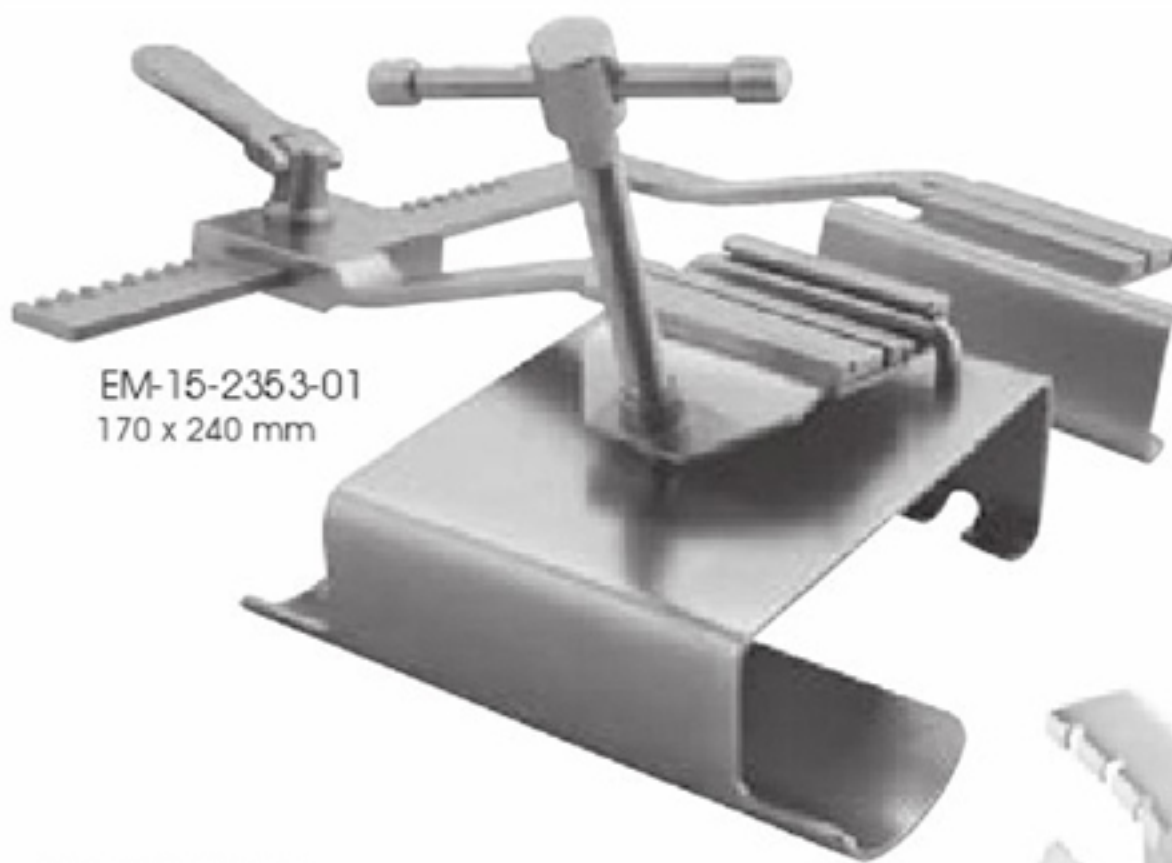
EM-15-2352-04  
 1 pair sternum blades  
 30 x 100 mm



EM-15-2352-05  
 1 pair sternum blades  
 40 x 100 mm

- EM-15-2352-01 Mammaia retractor complete
- EM-15-2352-02 Retractor only
- EM-15-2352-03 Mammaia blade complete
- EM-15-2352-04 Sternum blades (Pair)
- EM-15-2352-05 Sternum blades (Pair)

IMA Blade



EM-15-2353-01  
 170 x 240 mm



EM-15-2353-05



EM-15-2353-06

- EM-15-2353-07 Thoracic retractor complete
- EM-15-2353-01 Retractor only
- EM-15-2353-02 Blade 1 Piece
- EM-15-2353-03 Blade 1 Piece
- EM-15-2353-04 Blade 1 Piece
- EM-15-2353-05 Blade 1 Piece
- EM-15-2353-06 Blade 1 Piece



EM-15-2353-02  
 80 x 100 mm



EM-15-2353-03  
 100 x 120 mm



EM-15-2353-04  
 38 x 100 mm



Valve Retractor System

- The low operating platform provides freedom for surgeon movements in operation area.
- Strong fixation of accessories and hooks and excellent application combined with fast connection comfort.
- Carriers, can be fitted or fixed in any position on the arms and distinctive bars.
- The new deep-valve design of retractor is optimized to work on patients with deep rib cage.



EM-15-2354-02 21 x 20 cm  
Retractor only

- EM-15-2354-01 Complete
- EM-15-2354-02 Retractor only
- EM-15-2354-03 Blade 2 piece
- EM-15-2354-04 Blade 2 piece
- EM-15-2354-05 Blade 4 piece
- EM-15-2354-06 Blade 4 piece
- EM-15-2354-07 Fixation clamp 3 piece
- EM-15-2354-08 Retractor 2 piece
- EM-15-2354-09 Retractor 2 piece
- EM-15-2354-10 Retractor 2 piece



EM-15-2354-07  
Joint piece



EM-15-2354-05 30 x 28 mm  
EM-15-2354-06 40 x 28 mm



EM-15-2354-03 30 x 100 mm  
EM-15-2354-04 40 x 100 mm



EM-15-2354-08 Small 18 x 52 mm  
EM-15-2354-09 Medium 18 x 80 mm  
EM-15-2354-10 Large 22 x 80 mm





EM-15-2355-04  
Blades 75 x 75 mm



EM-15-2355-03  
Blades 42 x 65 mm

EM-15-2355-02  
Retractor only

- EM-15-2355-01 Complete
- EM-15-2355-02 Retractor only
- EM-15-2355-03 Blade(pair)
- EM-15-2355-04 Blade(pair)



MINI FINOCHIETTO  
EM-15-2356-01  
Blades 6 x 7 mm



FINOCHIETTO  
EM-15-2356-02  
Blades  
12 x 15 mm



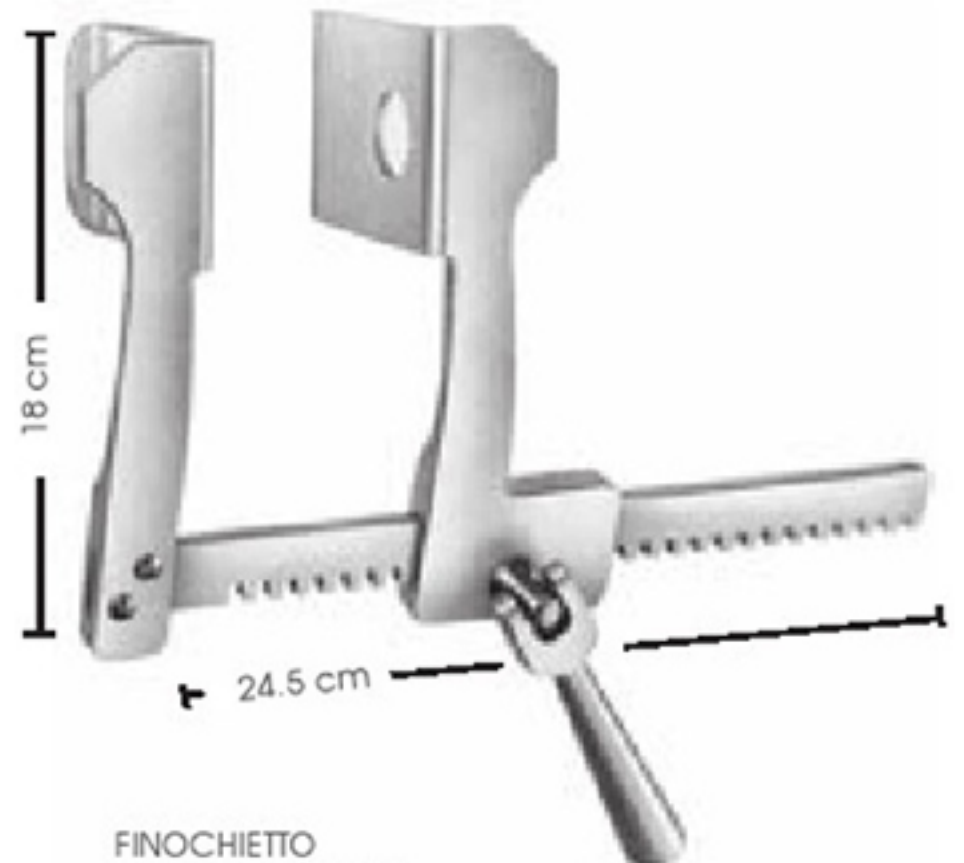
FINOCHIETTO  
EM-15-2356-03  
Blades  
28 x 30 mm



FINOCHIETTO  
EM-15-2356-04  
Blades  
31 x 45 mm



FINOCHIETTO  
EM-15-2356-05  
Blades  
42 x 61 mm



FINOCHIETTO  
EM-15-2356-06  
Blades  
74 x 64 mm







COOLEY  
EM-15-2358  
Right  
27 cm



COOLEY  
EM-15-2359  
Left  
28 cm



COOLEY  
EM-15-2360-01 45 x 30 mm  
EM-15-2360-02 45 x 35 mm  
EM-15-2360-03 45 x 48 mm  
Slightly serrated  
26.5 cm



COOLEY  
EM-15-2361-01 45 x 30 mm  
EM-15-2361-02 45 x 35 mm  
EM-15-2361-03 45 x 48 mm  
Unserrated  
24.5 cm



COOLEY  
EM-15-2362-01 25 x 46 mm  
Left  
28 cm



EM-15-2363-01  
17 x 21 mm



EM-15-2363-02  
16 x 23 mm



EM-15-2363-03  
20 x 25 mm



EM-15-2363-04  
24 x 27 mm



EM-15-2363-05  
28 x 20 mm

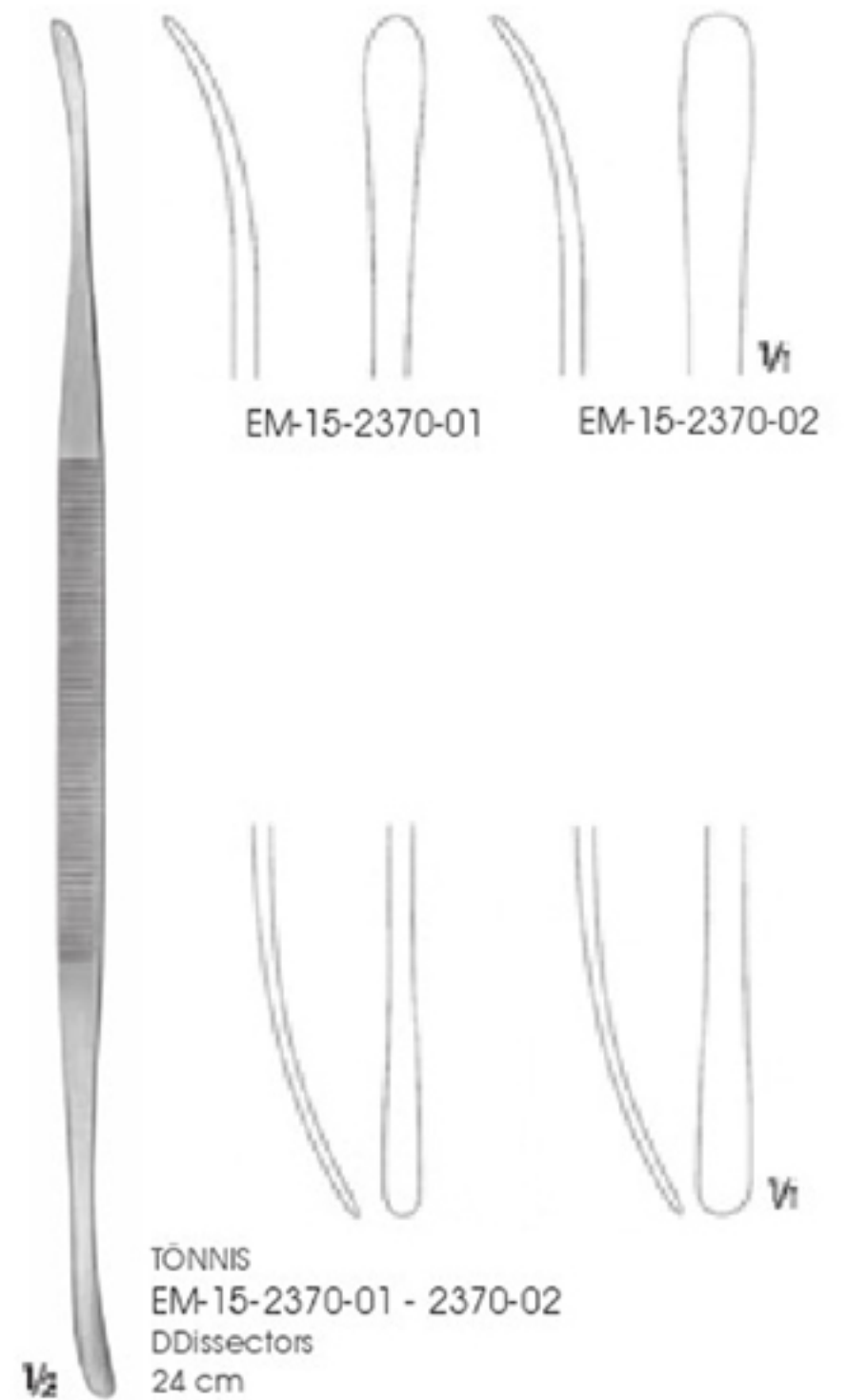
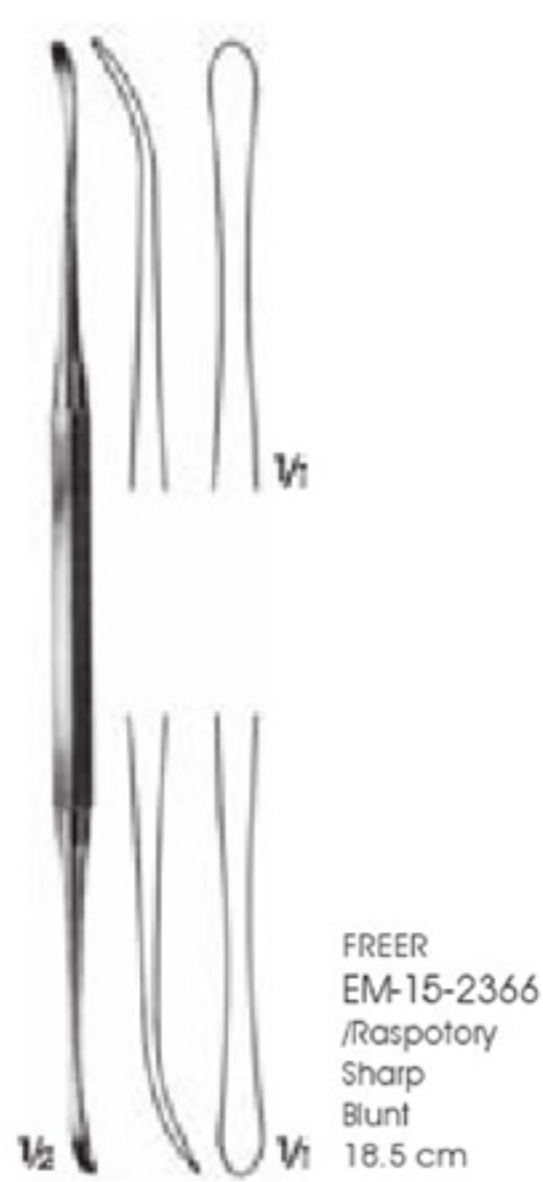


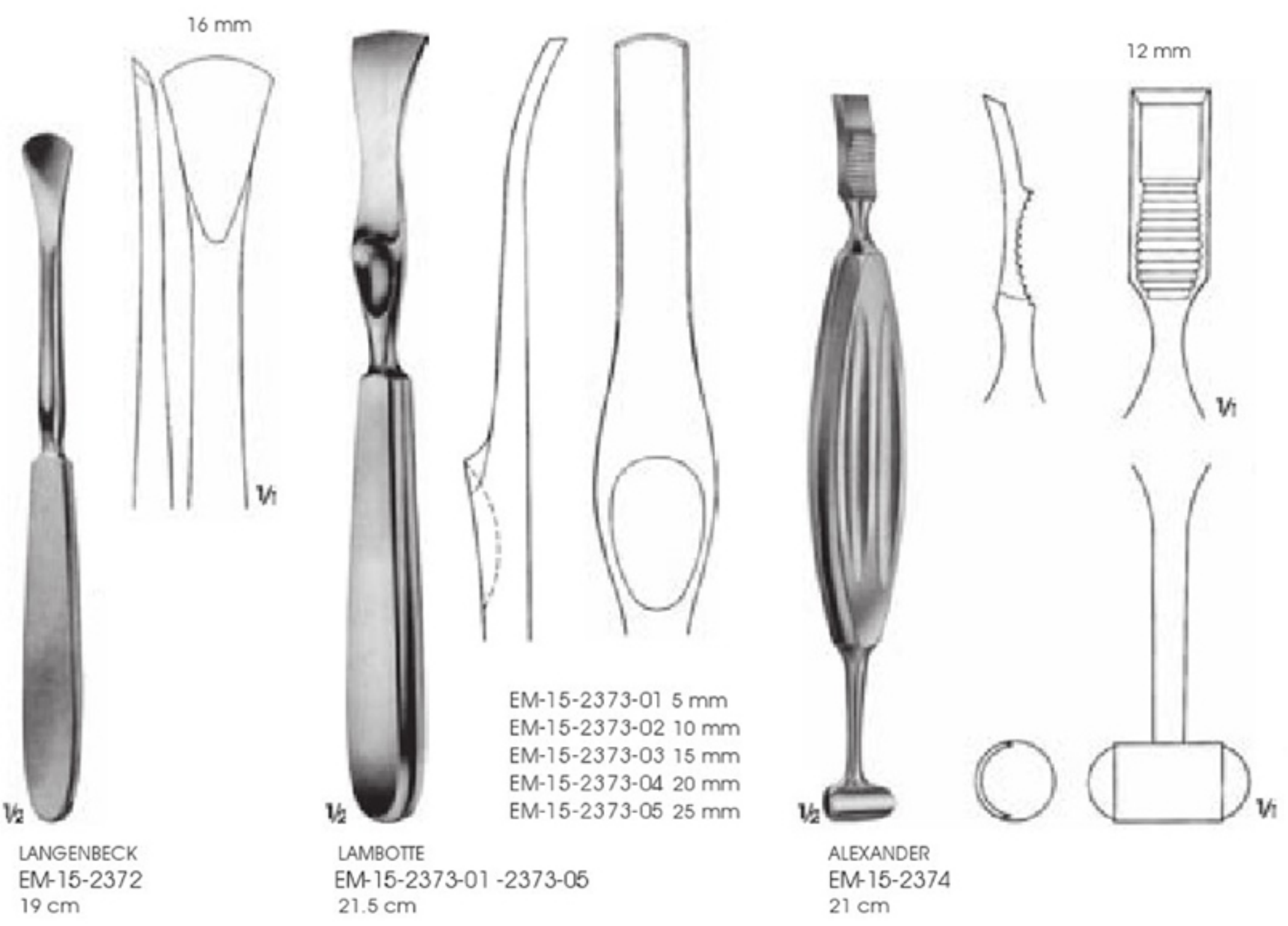
EM-15-2363-06  
28 x 29 mm



BOROWSKI  
EM-15-2363-01 - 2363-06  
Malleable shaft  
27 cm









DOYEN  
EM-15-2375 - 2376  
For children  
17.5 cm



DOYEN  
EM-15-2375-02 - 2376-02  
For adults  
17.5 cm



DOYEN  
EM-15-2377 - 2378  
24 cm





EM-15-2379-03  
Flexible plastic probe tip

EM-15-2379-04  
Ø 3 mm  
Metal Probe tip



EM-15-2379-05 Ø 6 mm  
EM-15-2379-06 Ø 9 mm  
EM-15-2379-07 Ø 12 mm  
EM-15-2379-08 Ø 15 mm



NABATOFF  
EM-15-2379-09  
Sadece sap  
Handle only

NABATOFF  
EM-15-2379-10 90 cm  
EM-15-2379-11 120 cm  
Cable flexible

NABATOFF

- EM-15-2379-01 Vein stripper set, consisting of
- EM-15-2379-02 Metal case
- EM-15-2379-10 Flexible cable 90 cm
- EM-15-2379-03 Flexible plastic probe tip
- EM-15-2379-04 Metal Probe tip
- EM-15-2379-05 Metal end Ø 6 mm
- EM-15-2379-06 Metal end Ø 9 mm
- EM-15-2379-07 Metal end Ø 12 mm
- EM-15-2379-08 Metal end Ø 15 mm
- EM-15-2379-09 Handle for flexible cable



VARADY

- EM-15-2380-01 Mini vein stripper set
- EM-15-2379-02 Metal case
- EM-15-2380-02 Flexible cable 45 cm
- EM-15-2380-03 Metal end Ø 3 mm
- EM-15-2380-04 Metal end Ø 4 mm
- EM-15-2380-05 Metal end Ø 5 mm



VARADY  
EM-15-2380-02  
Flexible cable  
45 cm



EM-15-2380-03 Ø 3 mm  
EM-15-2380-04 Ø 4 mm  
EM-15-2380-05 Ø 5 mm



VARADY  
EM-15-2381-01  
Micro Extractor  
17 cm



VARADY  
EM-15-2381-02  
Mini Extractor  
17 cm



VARADY  
EM-15-2381-03  
Mikro spatula,  
double ended  
17.5 cm



VARADY  
EM-15-2381-04  
Dissector  
18 cm



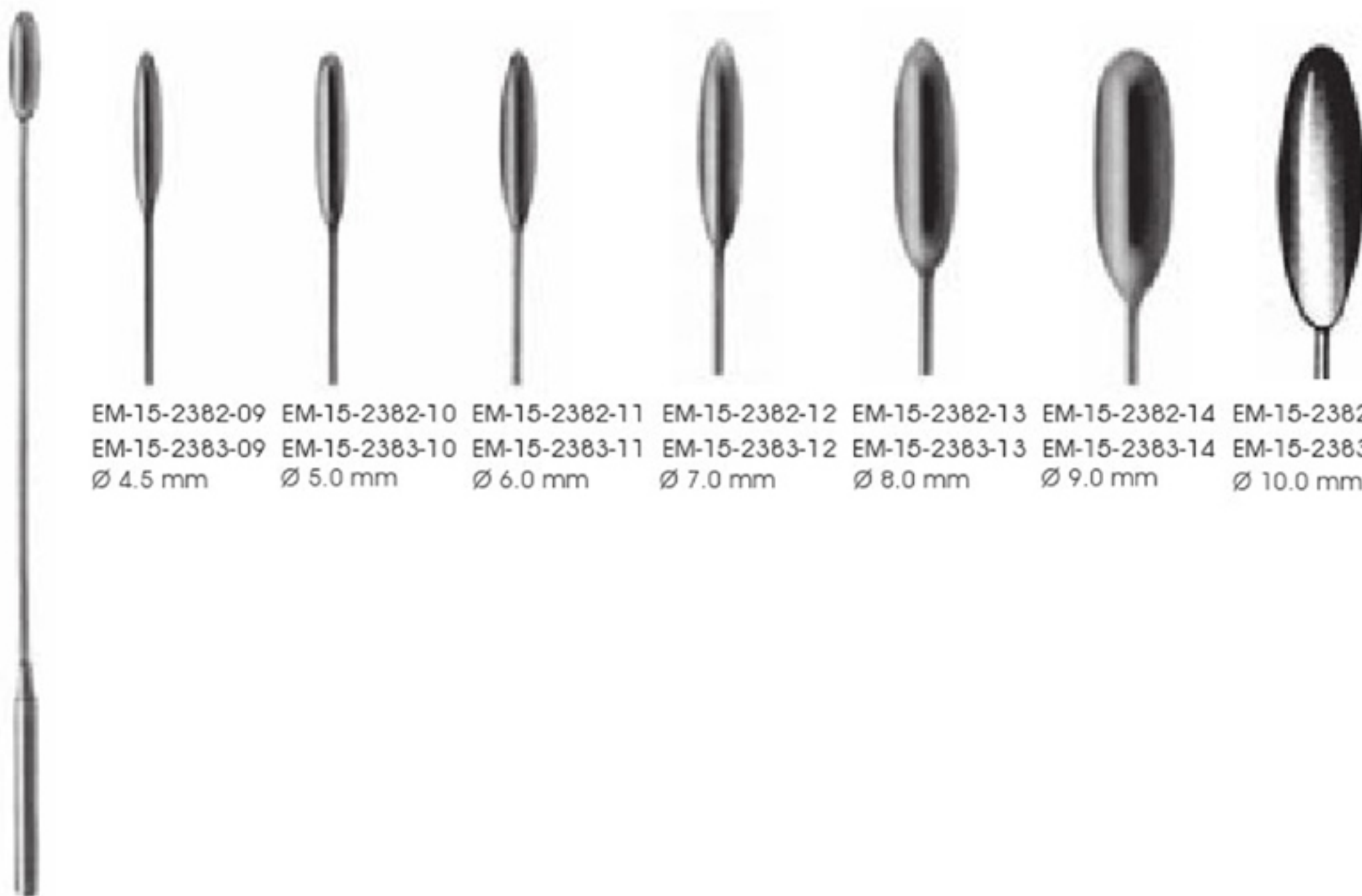
VARADY  
EM-15-2381-05  
Extractor  
18 cm



VARADY  
EM-15-2381-06  
Extractor  
18 cm

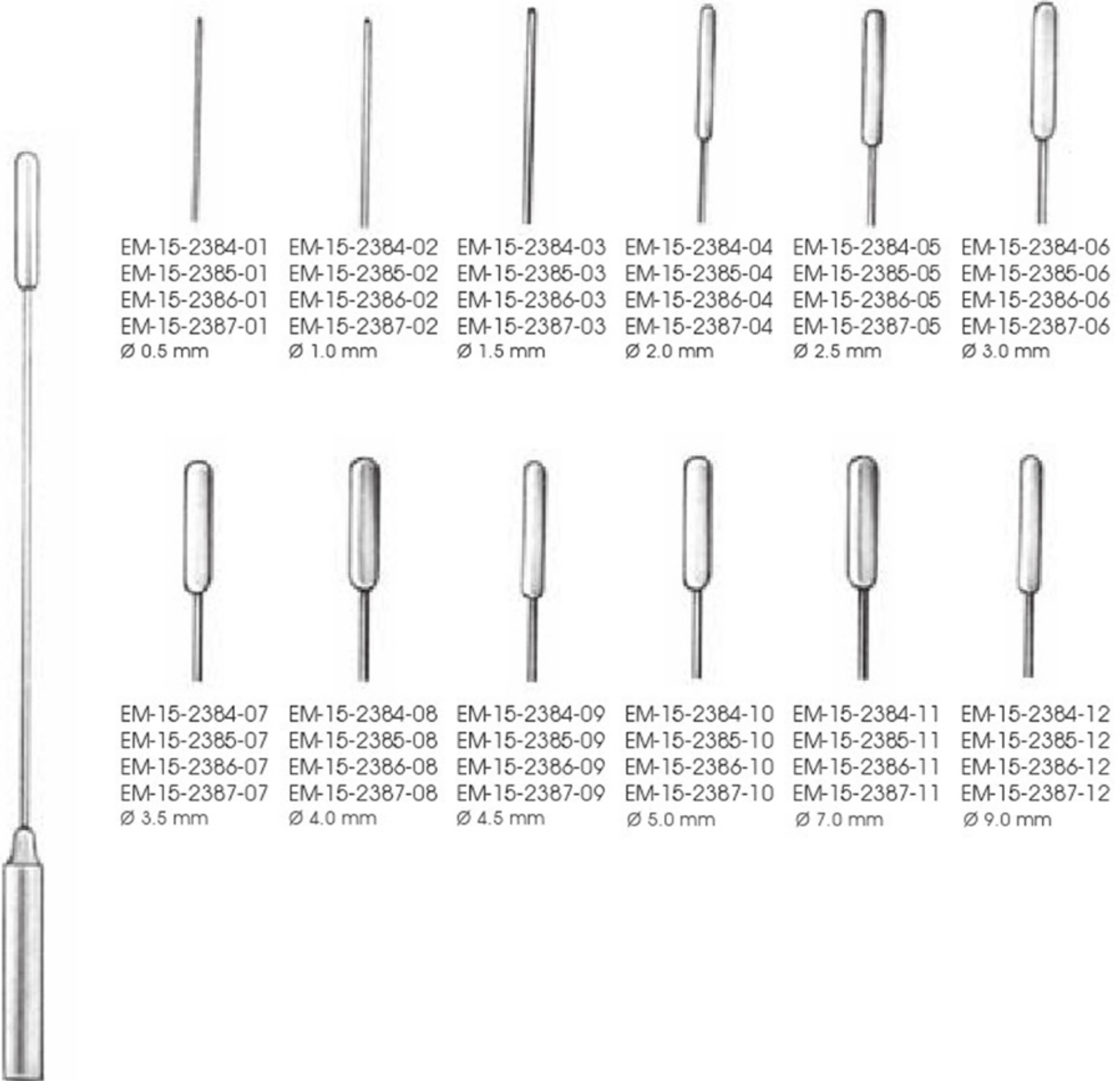


EM-15-2382-01	EM-15-2382-02	EM-15-2382-03	EM-15-2382-04	EM-15-2382-05	EM-15-2382-06	EM-15-2382-07	EM-15-2382-08
EM-15-2383-01	EM-15-2383-02	EM-15-2383-03	EM-15-2383-04	EM-15-2383-05	EM-15-2383-06	EM-15-2383-07	EM-15-2383-08
∅ 0.5 mm	∅ 1.0 mm	∅ 1.5 mm	∅ 2.0 mm	∅ 2.5 mm	∅ 3.0 mm	∅ 3.5 mm	∅ 4.0 mm



EM-15-2382-09	EM-15-2382-10	EM-15-2382-11	EM-15-2382-12	EM-15-2382-13	EM-15-2382-14	EM-15-2382-15
EM-15-2383-09	EM-15-2383-10	EM-15-2383-11	EM-15-2383-12	EM-15-2383-13	EM-15-2383-14	EM-15-2383-15
∅ 4.5 mm	∅ 5.0 mm	∅ 6.0 mm	∅ 7.0 mm	∅ 8.0 mm	∅ 9.0 mm	∅ 10.0 mm

DE BAKEY  
EM-15-2382-01 - 2382-15 19 cm  
EM-15-2383-01 - 2383-15 38 cm  
Vascular dilators, malleable



EM-15-2384-01	EM-15-2384-02	EM-15-2384-03	EM-15-2384-04	EM-15-2384-05	EM-15-2384-06
EM-15-2385-01	EM-15-2385-02	EM-15-2385-03	EM-15-2385-04	EM-15-2385-05	EM-15-2385-06
EM-15-2386-01	EM-15-2386-02	EM-15-2386-03	EM-15-2386-04	EM-15-2386-05	EM-15-2386-06
EM-15-2387-01	EM-15-2387-02	EM-15-2387-03	EM-15-2387-04	EM-15-2387-05	EM-15-2387-06
Ø 0.5 mm	Ø 1.0 mm	Ø 1.5 mm	Ø 2.0 mm	Ø 2.5 mm	Ø 3.0 mm

EM-15-2384-07	EM-15-2384-08	EM-15-2384-09	EM-15-2384-10	EM-15-2384-11	EM-15-2384-12
EM-15-2385-07	EM-15-2385-08	EM-15-2385-09	EM-15-2385-10	EM-15-2385-11	EM-15-2385-12
EM-15-2386-07	EM-15-2386-08	EM-15-2386-09	EM-15-2386-10	EM-15-2386-11	EM-15-2386-12
EM-15-2387-07	EM-15-2387-08	EM-15-2387-09	EM-15-2387-10	EM-15-2387-11	EM-15-2387-12
Ø 3.5 mm	Ø 4.0 mm	Ø 4.5 mm	Ø 5.0 mm	Ø 7.0 mm	Ø 9.0 mm

GARRET  
 EM-15-2384-01 - 2384-01-12 14 cm  
 EM-15-2385-01 - 2385-01-12 19 cm  
 EM-15-2386-01 - 2386-01-12 21 cm  
 EM-15-2387-01 - 2387-01-12 35 cm  
 Malleable





$\frac{1}{2}$  BLAKE  
EM-15-2388  
Embolus grasping forceps  
20.5 cm



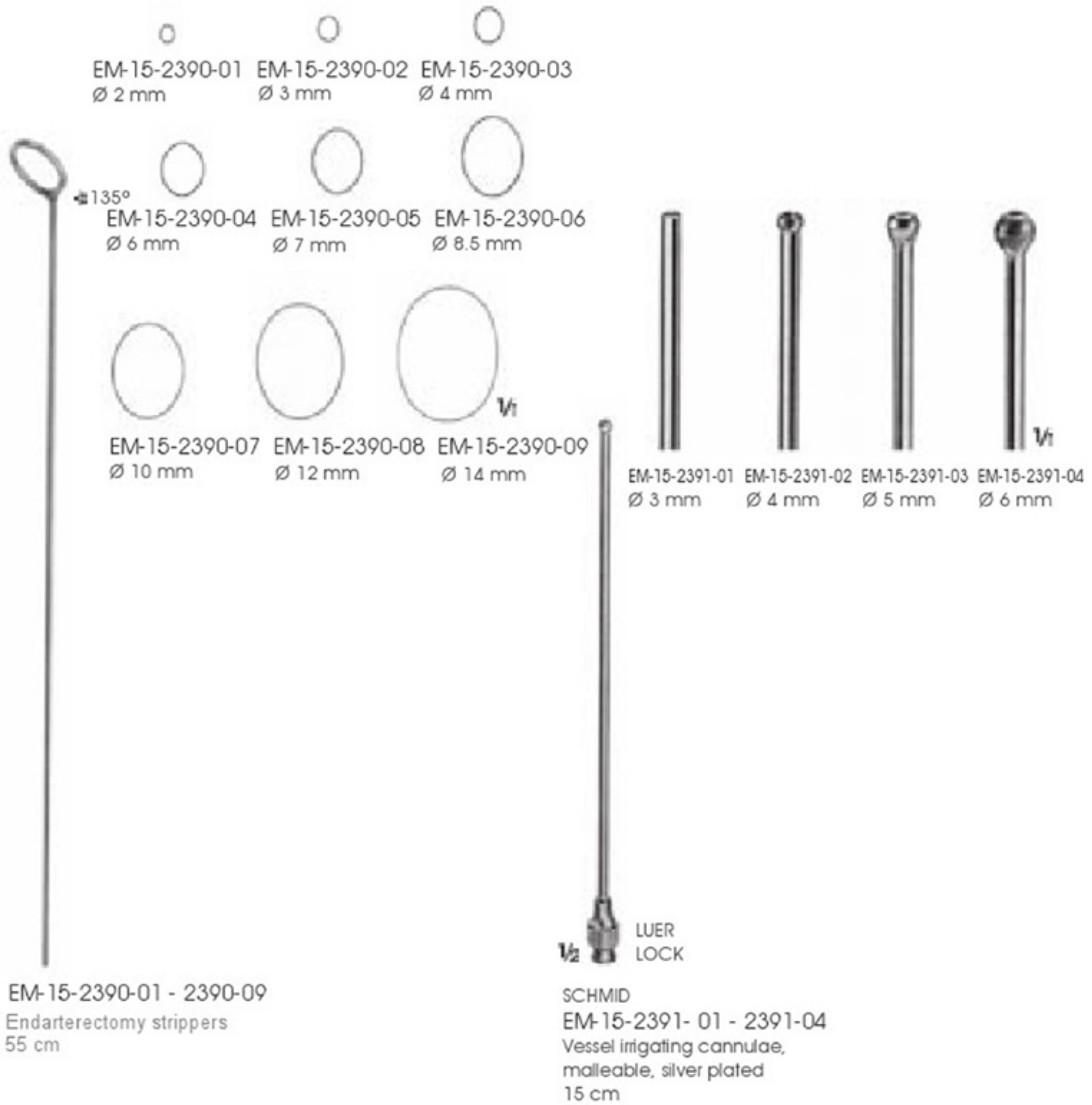
$\frac{1}{2}$  EM-15-2389-01  
Guide only



$\frac{1}{2}$  EM-15-2389-02  
Guide only

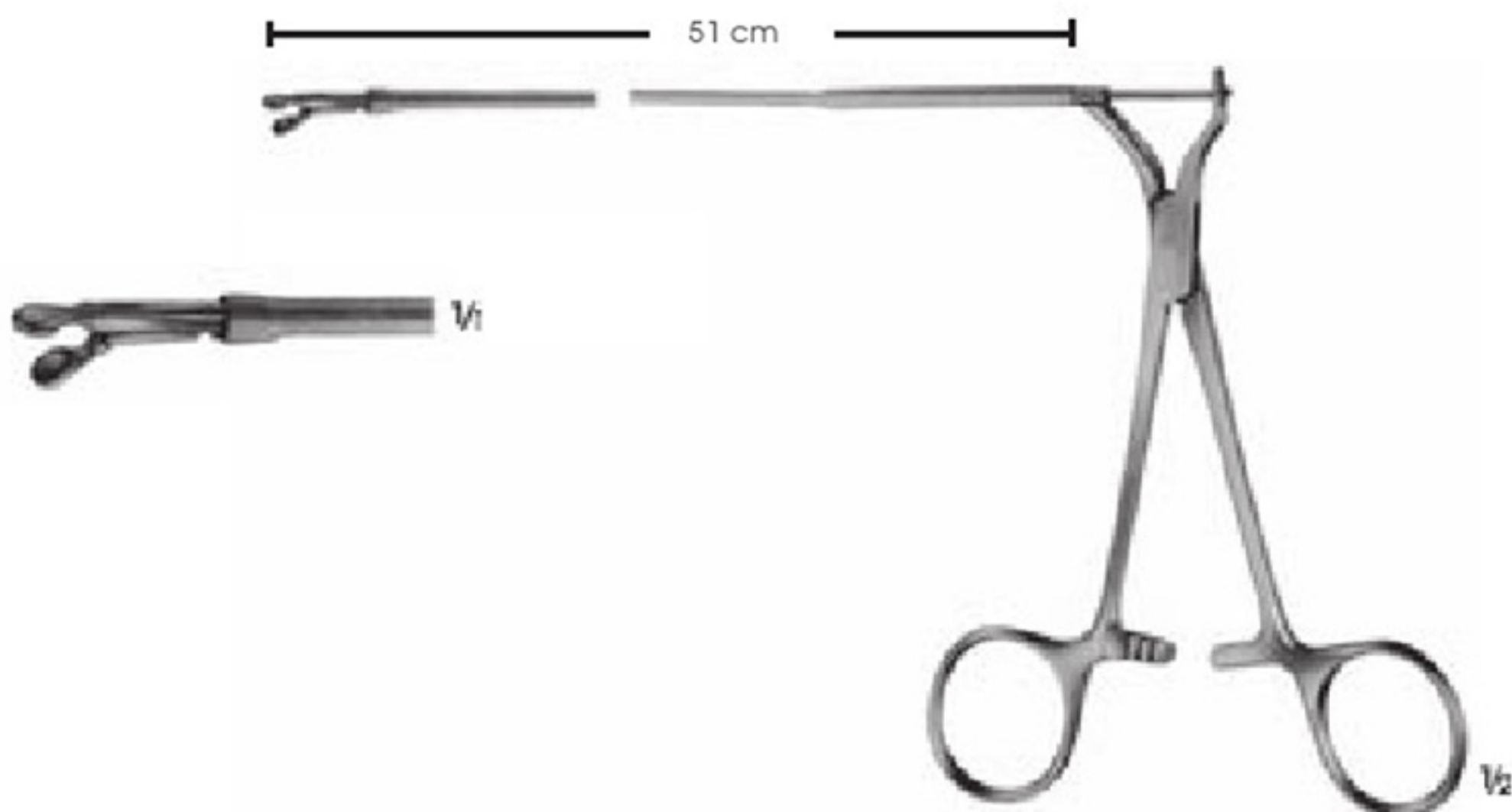


$\frac{1}{2}$  RUMEL-BELMONT  
Tourniquets  
EM-15-2389-01  $\varnothing$  4.0 mm  
EM-15-2389-02  $\varnothing$  6.4 mm  
32.5 cm





EM-15-2392-01 - 2392-03  
Aorta punches  
14 cm

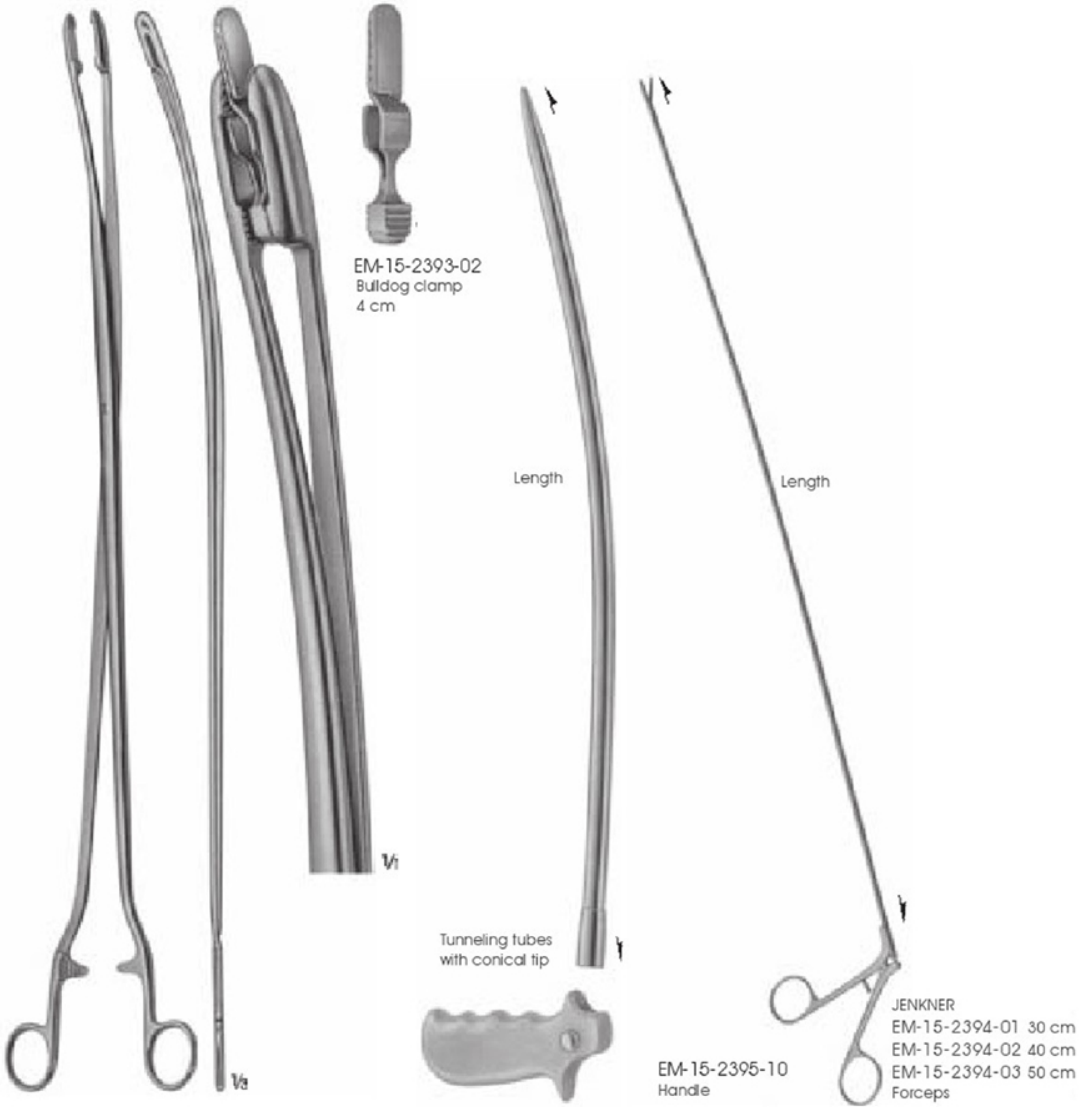


SCHULZ  
EM-15-2393  
Biopome, with flexible shaft 51 cm long,  
with round jaws Ø 3 mm





The slight curvature of the introducer forceps permits handling during tunneling. Here the prosthesis can be drawn in by applying the introducer forceps directly to the prosthesis (alloplastic prosthesis) or can be drawn in by means of the bulldog clamp (autologous/homologous prosthesis). Thanks to the interlocking fit, the bulldog clamp rests non-displaceable and securely in the mouth of the introducer forceps.



ALLENBERG  
 EM-15-2393-01  
 Curved  
 54 cm

EM-15-2393-02  
 Bulldog clamp  
 4 cm

Tunneling tubes  
 with conical tip



EM-15-2395-10  
 Handle

JENKNER  
 EM-15-2394-01 30 cm  
 EM-15-2394-02 40 cm  
 EM-15-2394-03 50 cm  
 Forceps

Tunneling tubes with  
 conical tip

- Ø 12 mm
- Ø 14 mm
- Ø 17 mm

Length  
 30 cm

Length  
 40 cm

Length  
 50 cm

- |               |               |               |
|---------------|---------------|---------------|
| EM-15-2395-01 | EM-15-2395-02 | EM-15-2395-03 |
| EM-15-2395-04 | EM-15-2395-05 | EM-15-2395-06 |
| EM-15-2395-07 | EM-15-2395-08 | EM-15-2395-09 |



1/2

WITT  
EM-15-2396-01 1.5 x 35 mm  
EM-15-2396-02 1.5 x 51 mm  
Sternal puncture needle  
with Luer cone



1/2

BRAUN-STADLER  
EM-15-2397  
Sternum shears for children  
20 cm

One jaw serrated



1/2



1/2

SCHUMACHER  
EM-15-2398  
Sternum shears  
21 cm



1/2

LEBSCHE  
EM-15-2399  
Sternum chisel  
20 cm







SEM-B  
 EM-15-2405  
 Rib-and bone holding forcep  
 19 cm



SEM-B  
 EM-15-2406  
 Rib-and bone holding forcep  
 19 cm



BAILEY  
 EM-15-2407  
 Rib spreader  
 15 cm



SELLORS  
 EM-15-2408  
 Rib spreader  
 With swivel blades  
 20 cm



BAILEY  
 EM-15-2409-01  
 For children

BAILEY  
 EM-15-2409-02  
 For adults

BAILEY  
 EM-15-2409-01 - 2409-02  
 Rib spreader  
 20 cm



SAUERBRUCH  
EM-15-2410-01  
For children  
24 cm

EM-15-2410-02  
For adults  
27 cm



GLUCK  
EM-15-2411  
19 cm



EM-15-2412  
23 cm



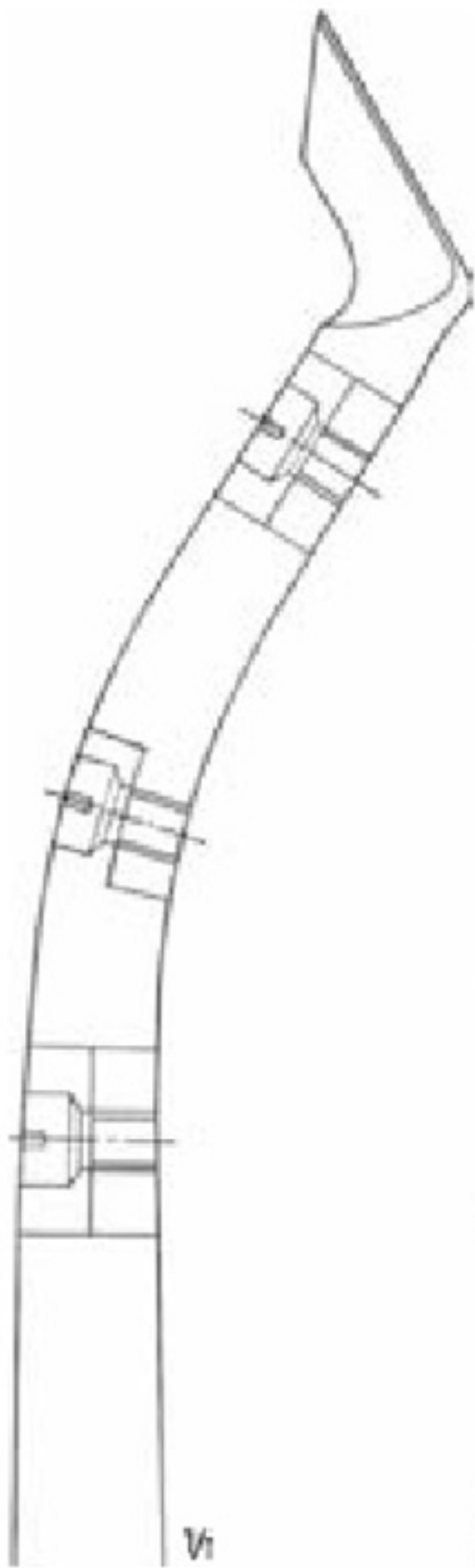
GIERTZ-STILLE  
EM-15-2413  
25 cm



BRUNNER  
EM-15-2414  
Universal pattern  
34 cm



BETHUNE  
EM-15-2415  
34 cm

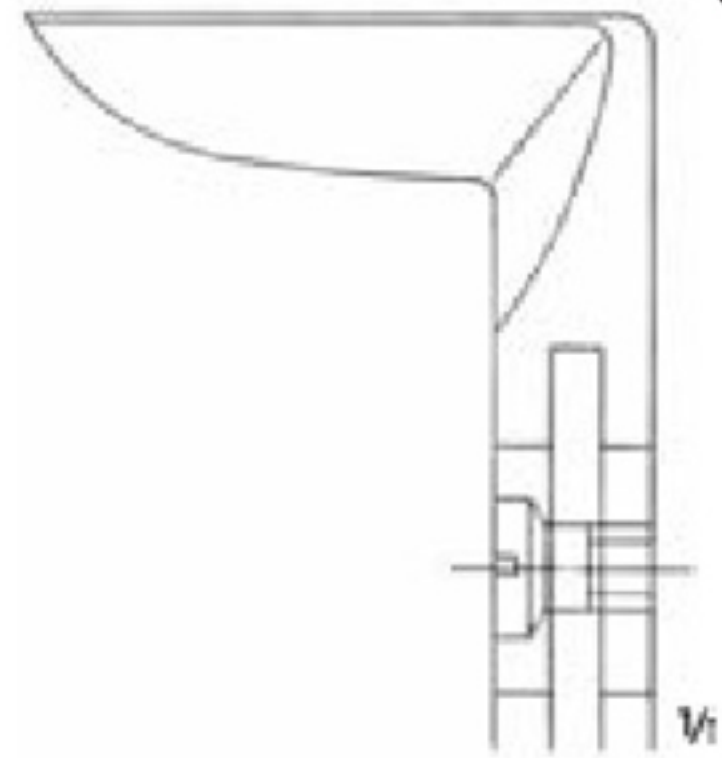


1/1



1/2

LISTON-KEY-HORSLEY  
EM-15-2416  
S-Shaped for posterior rib ends  
25.5 cm



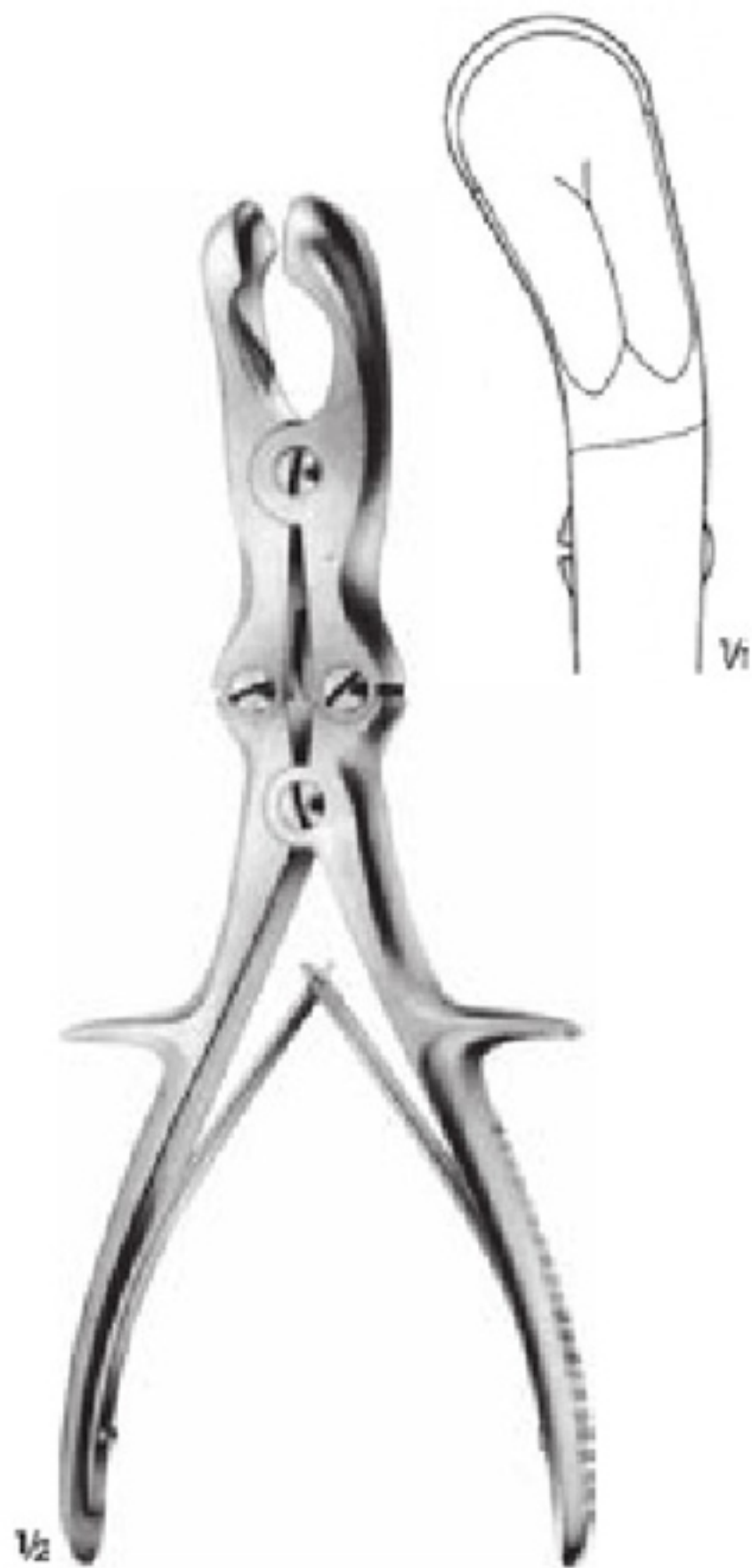
1/1



1/2

LISTON - STILLE  
EM-15-2417  
Angled  
26.5 cm





SEMB  
EM-15-2418  
Rib rongeur to shorten  
the rib stumps  
24 cm



SAUERBRUCH-CORYLLOS  
EM-15-2419 - 2420  
Rib rongeur to shorten  
the rib stumps  
31 cm