

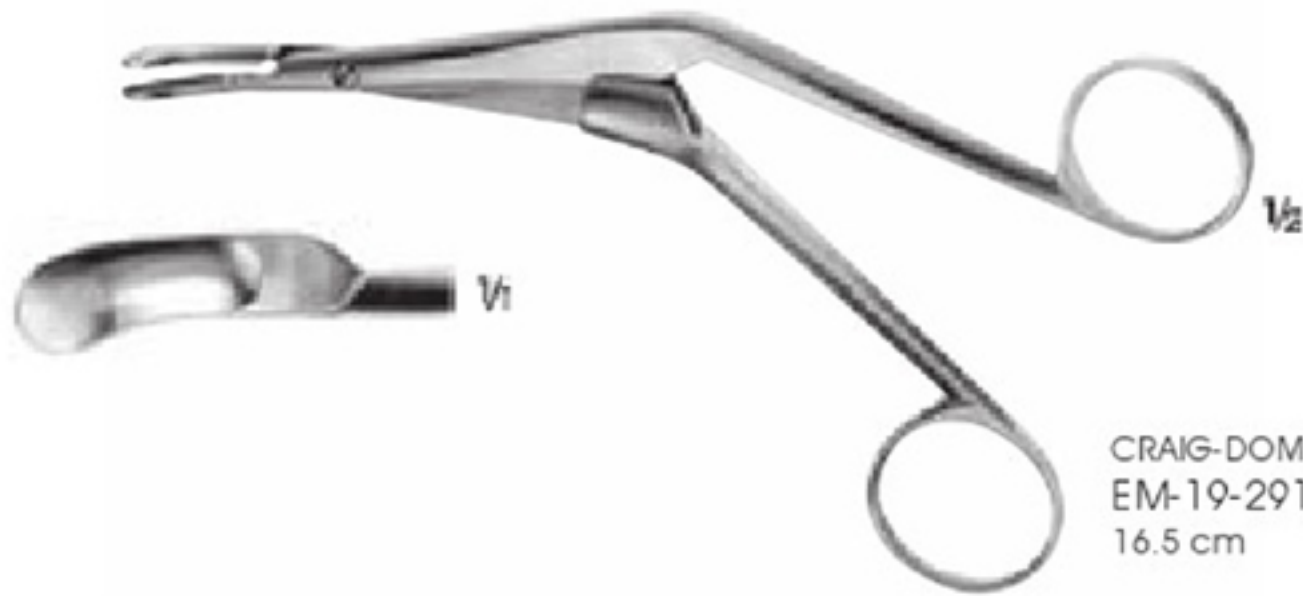


Rongeurs

Rongeurs



HEYMANN
EM-19-2918
18 cm



CRAIG-DOMNICK
EM-19-2919
16.5 cm



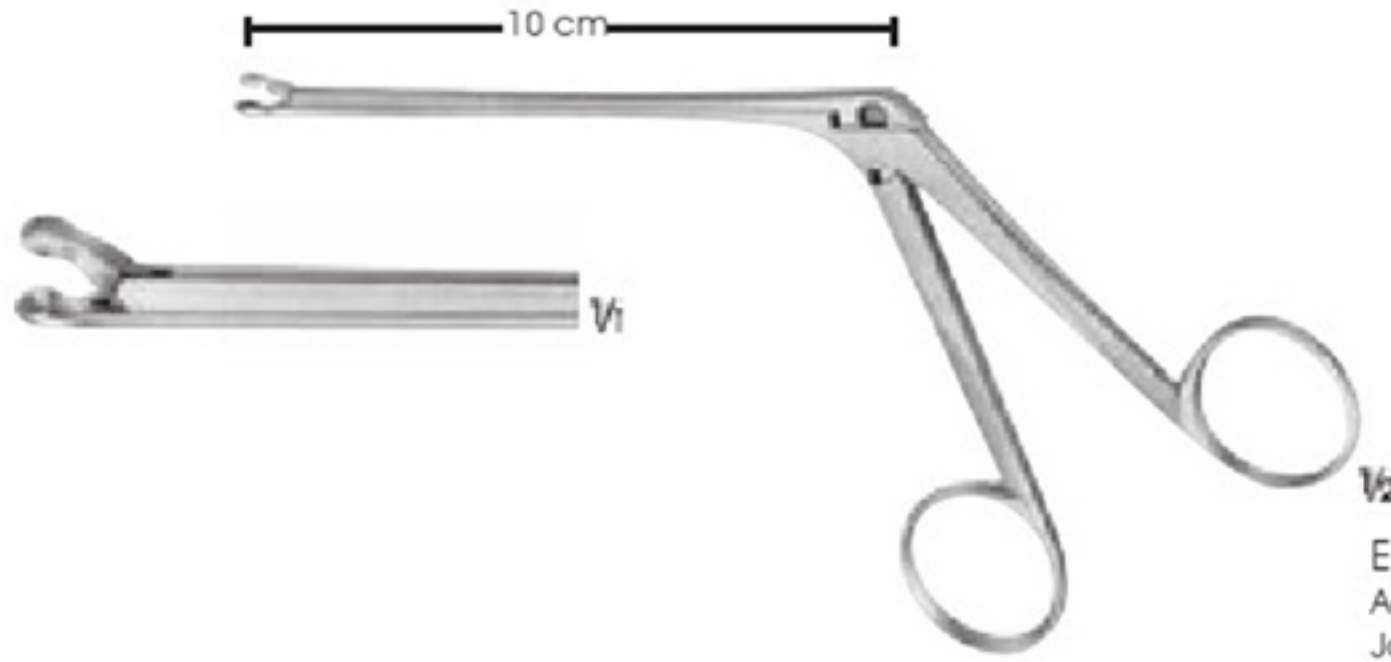
EM-19-2920

EM-19-2921

CRAIG
EM-19-2920 - 2921
16.5 cm



HEMANN-KNIGHT
EM-19-2922
19 cm



EM-19-2923
Ağız Ø 3 mm
Jaw Ø 3 mm



IRWIN MOORE
EM-19-2924
19 cm



BRÜNINGS
EM-19-2925-01 - 2925-04
19 cm

EM-19-2925-01



EM-19-2925-02



EM-19-2925-03



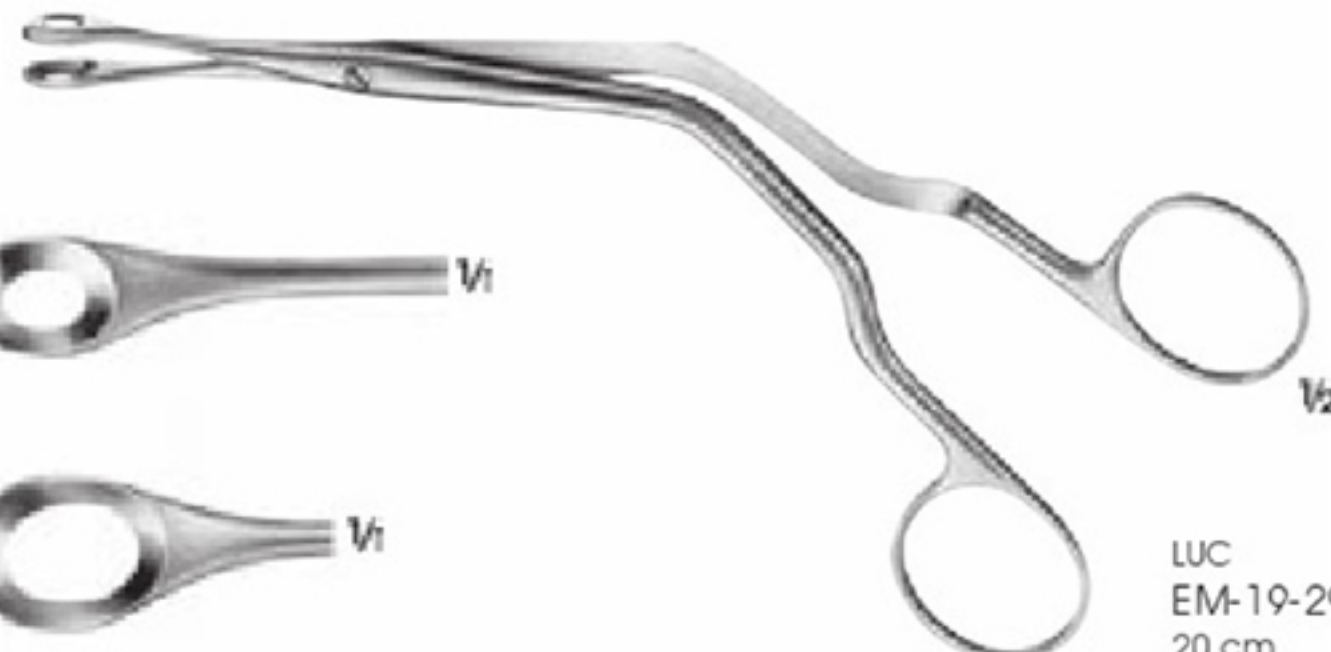
EM-19-2925-04



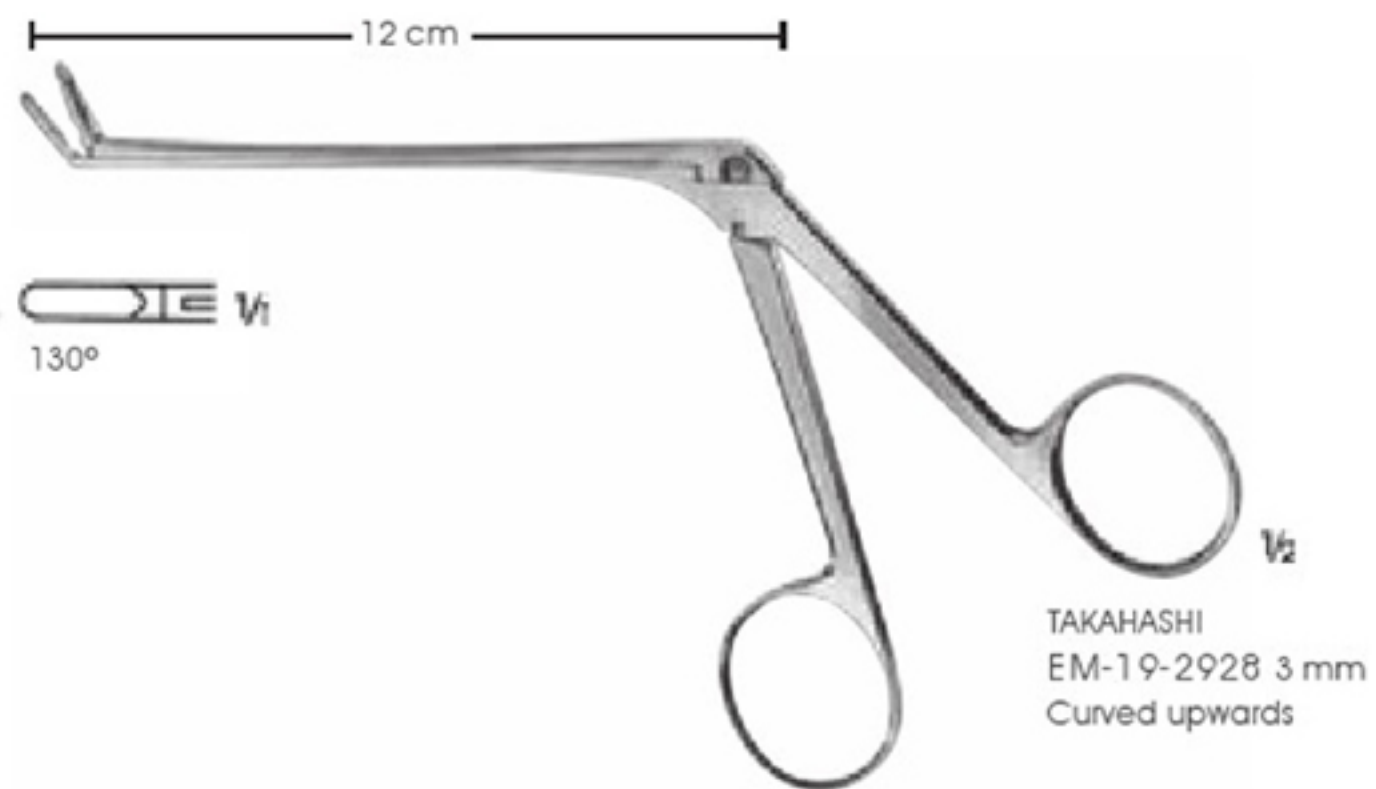
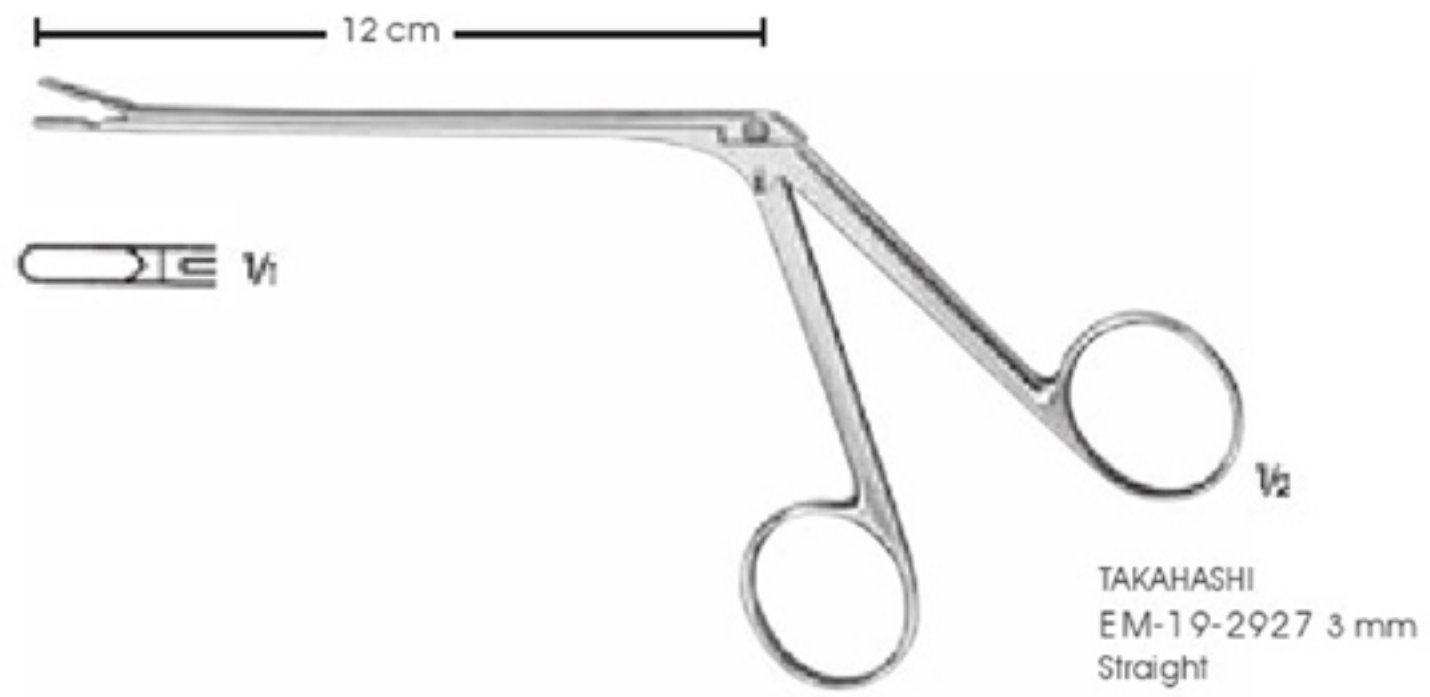
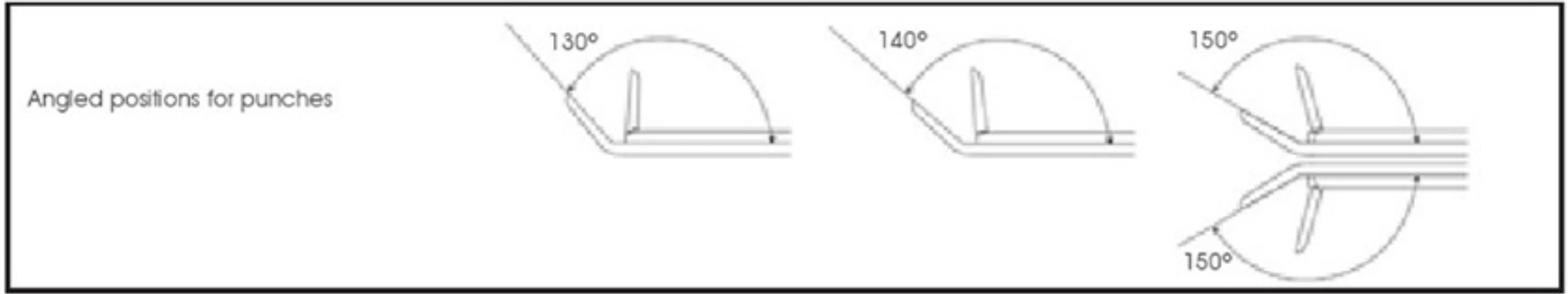
EM-19-2926-01

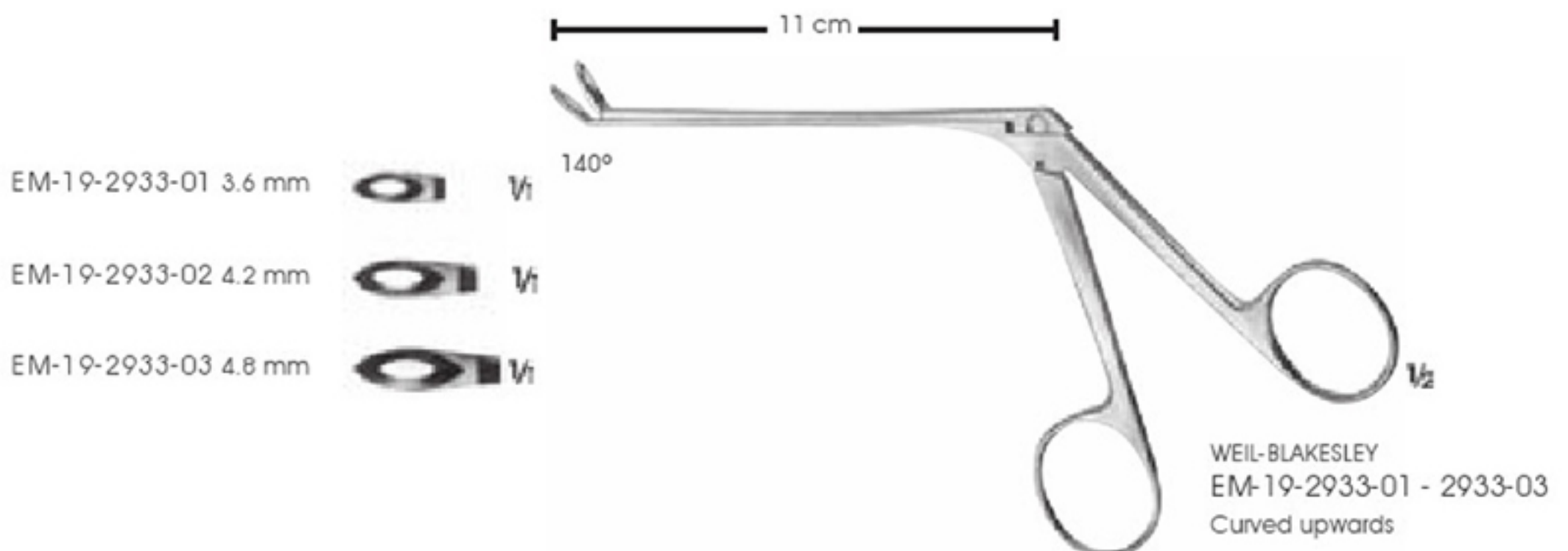
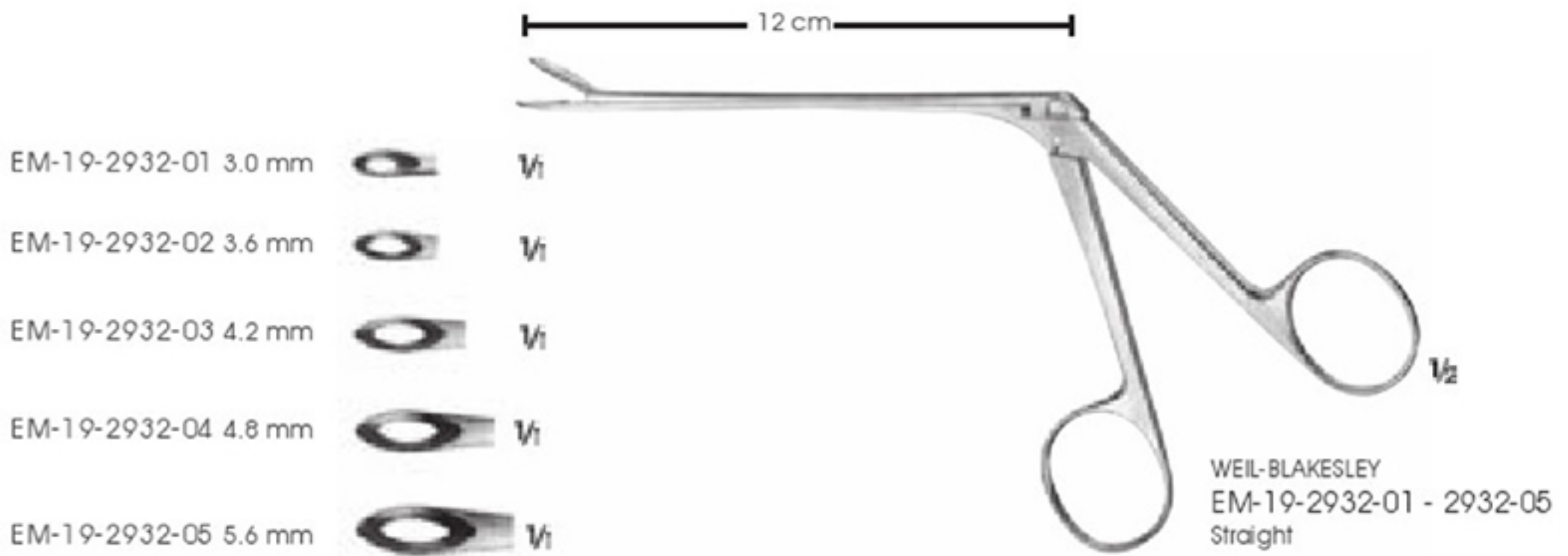
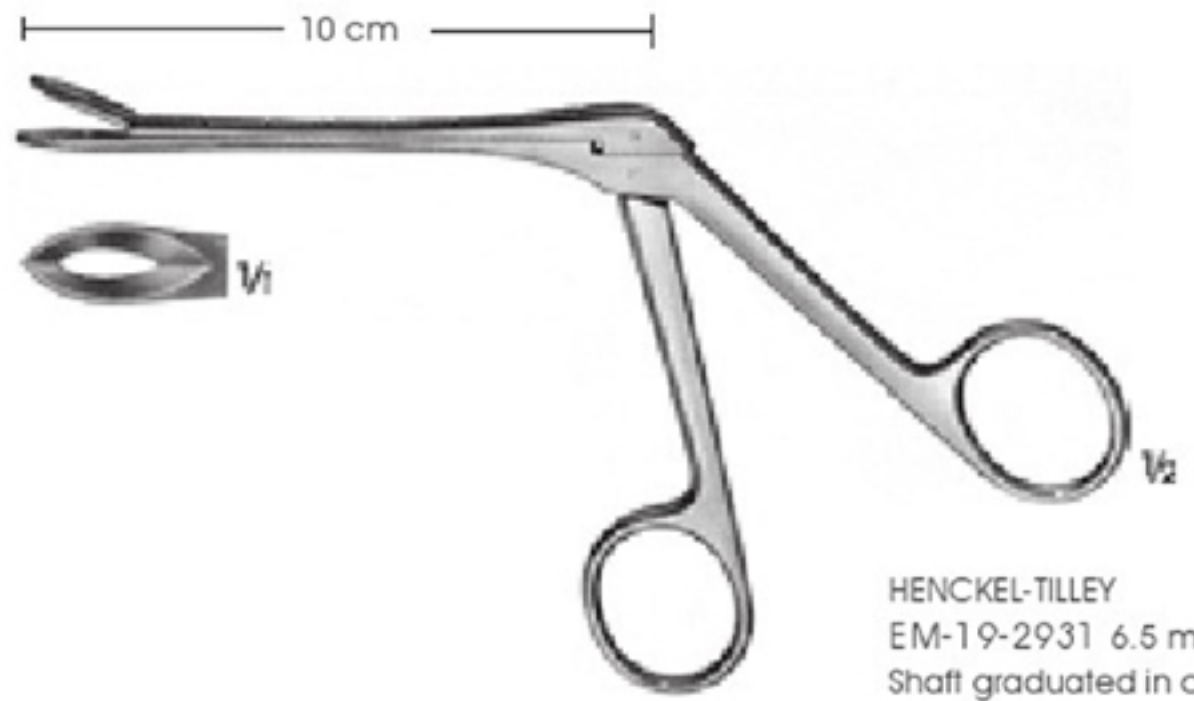


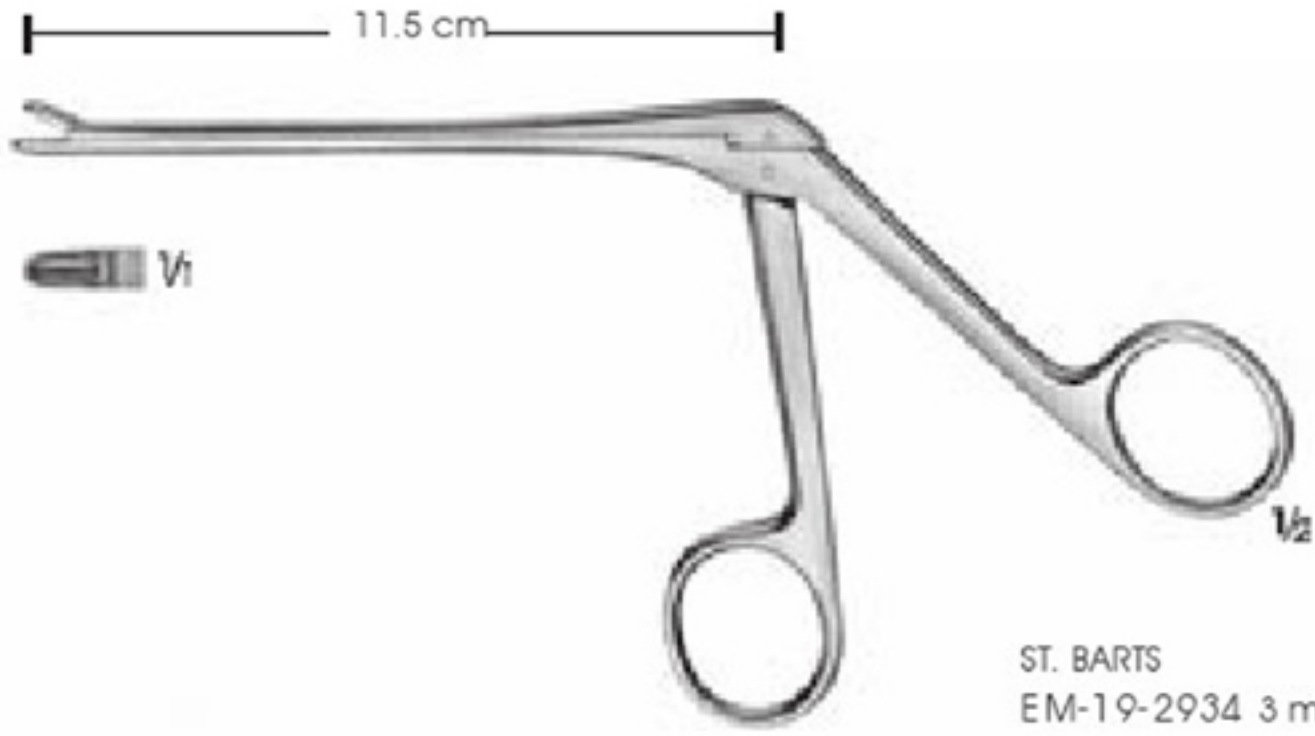
EM-19-2926-02

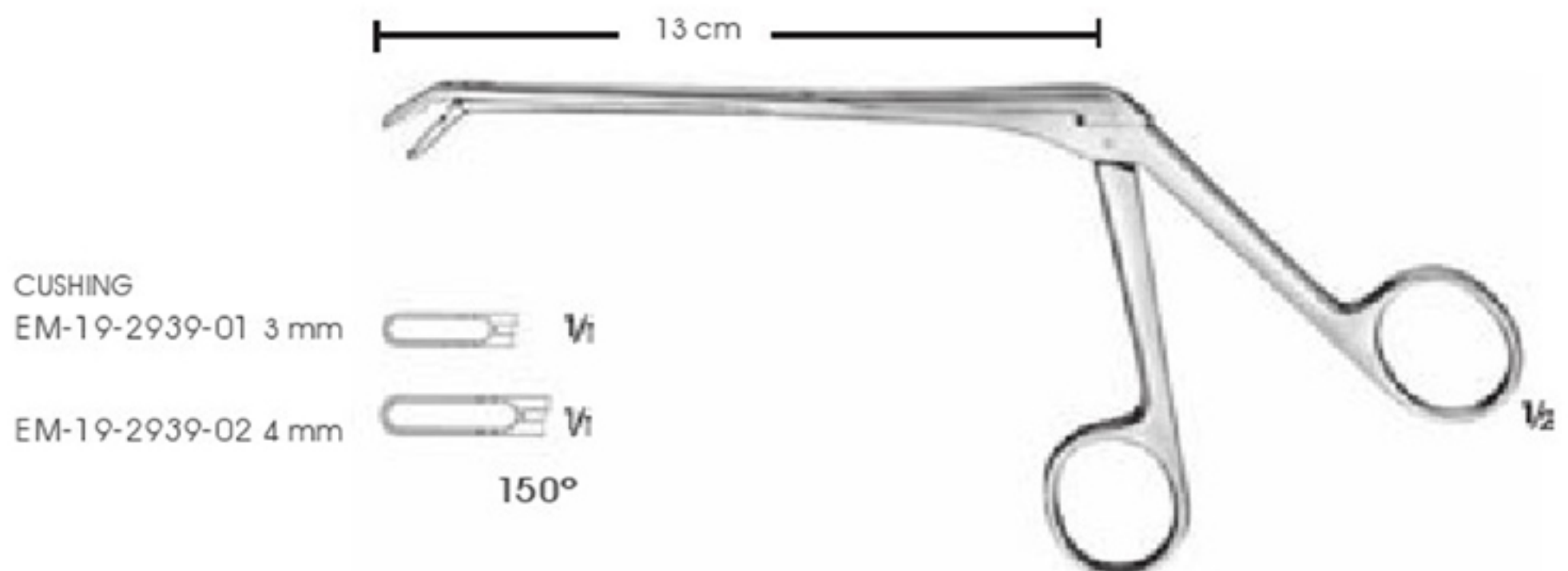
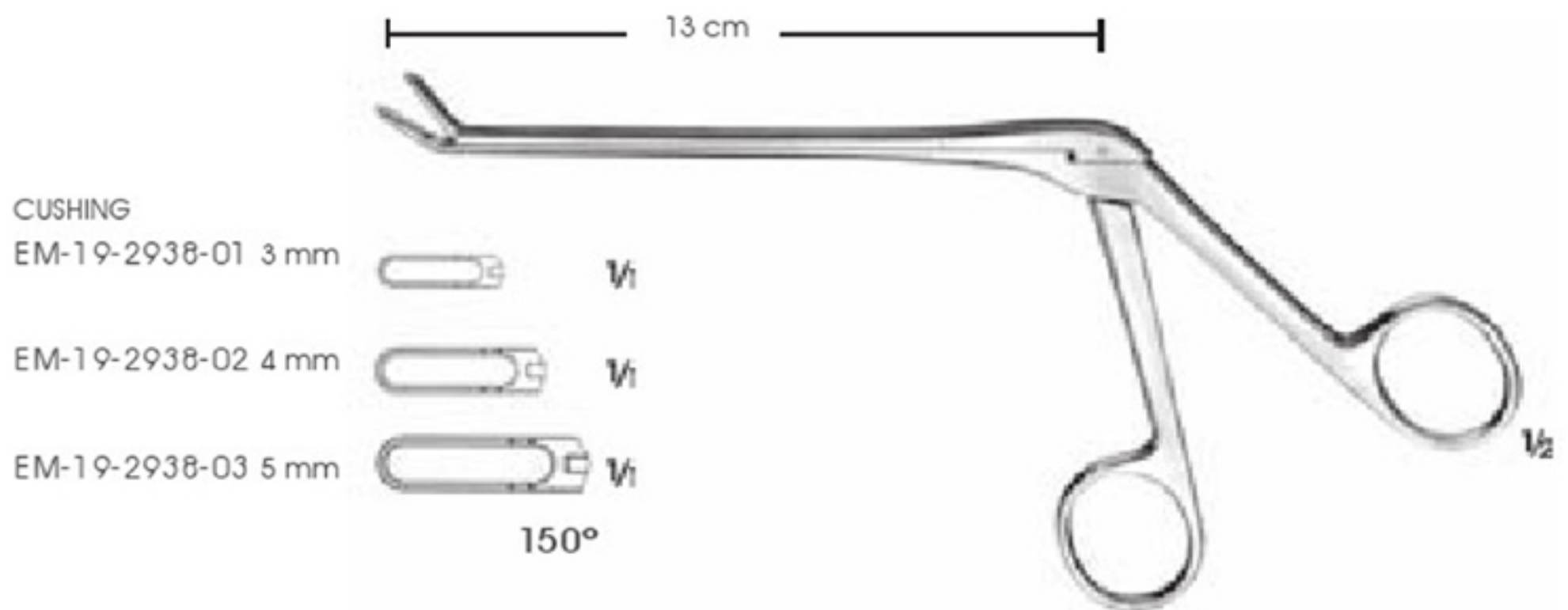
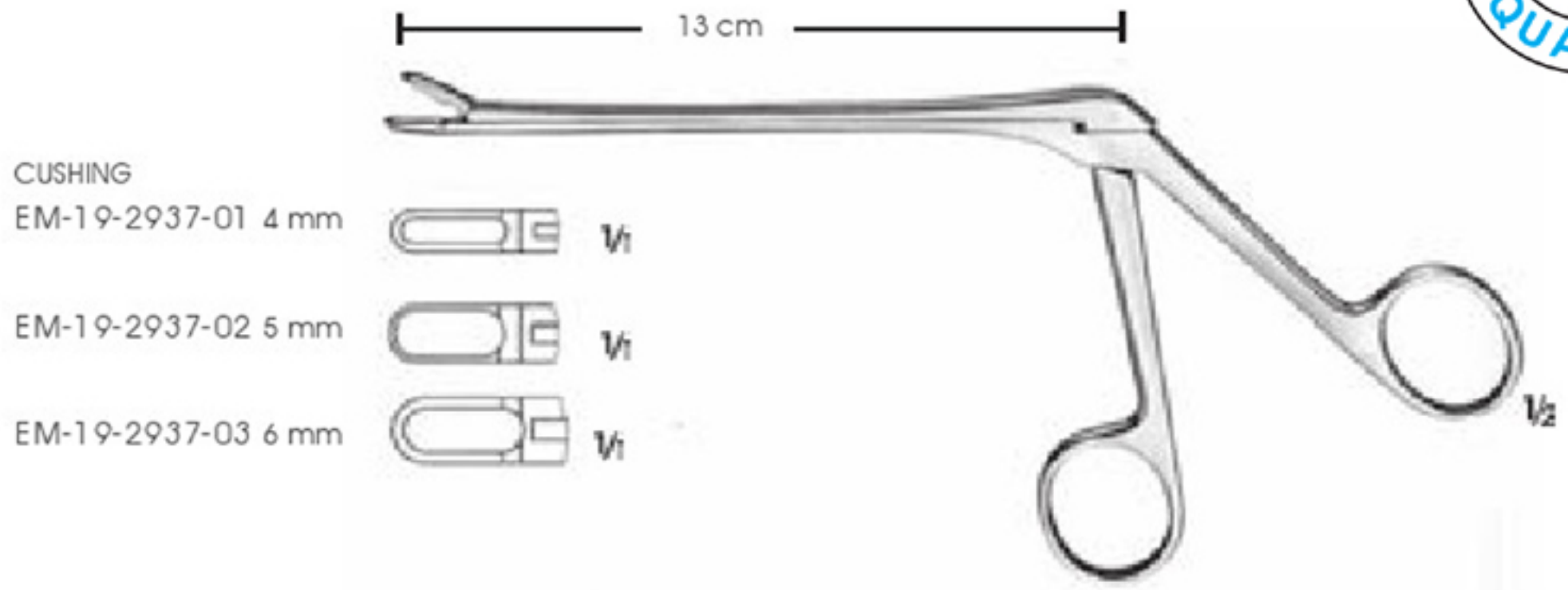


LUC
EM-19-2926-01 - 2926-02
20 cm











15 cm



- EM-19-2940-01 2 mm $\frac{1}{2}$
- EM-19-2940-02 3 mm $\frac{1}{2}$
- EM-19-2940-03 4 mm $\frac{1}{2}$
- EM-19-2940-04 5 mm $\frac{1}{2}$

CASPAR
EM-19-2940-01 - 2940-04

$\frac{1}{2}$

15 cm



- EM-19-2941-02 2 mm $\frac{1}{2}$
- EM-19-2941-02 3 mm $\frac{1}{2}$
- EM-19-2941-03 4 mm $\frac{1}{2}$

CASPAR
EM-19-2941-01 - 2941-03

150°

$\frac{1}{2}$

15 cm





- EM-19-2942-01 2 mm $\frac{1}{2}$
- EM-19-2942-02 3 mm $\frac{1}{2}$
- EM-19-2942-03 4 mm $\frac{1}{2}$


CASPAR
EM-19-2942-01 - 2942-03
Lower part of jaw movable

150°


$\frac{1}{2}$


LOVE-GRUENWALD
EM-19-2943-01 2 x 10 mm  Vt


LOVE-GRUENWALD
EM-19-2943-02 3 x 10 mm  Vt


SPURLING
EM-19-2943-03 4 x 10 mm  Vt

13 cm





CUSHING
EM-19-2944-01 2 x 10 mm  Vt


LOVE-GRUENWALD
EM-19-2944-02 3 x 10 mm  Vt

SPURLING
EM-19-2944-03 4 x 10 mm  Vt

17 cm




LOVE-GRUENWALD
EM-19-2945-01 3 x 10 mm  Vt


SPURLING
EM-19-2945-02 4 x 10 mm  Vt


150°

17 cm




Upper part of jaw movable

LOVE-GRUENWALD
EM-19-2946-01 3 x 10 mm  Vt

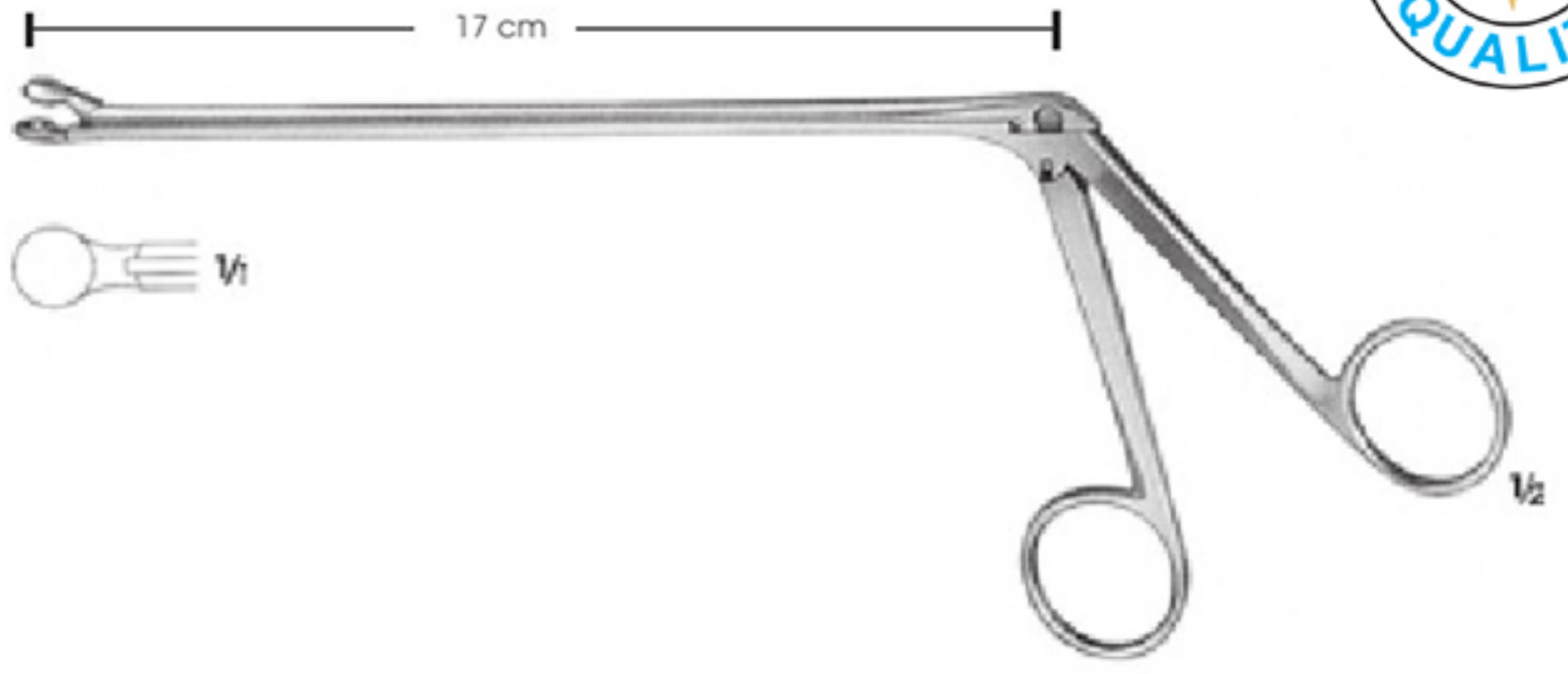
LOVE-GRUENWALD
EM-19-2946-02 4 x 10 mm  Vt

150°

17 cm



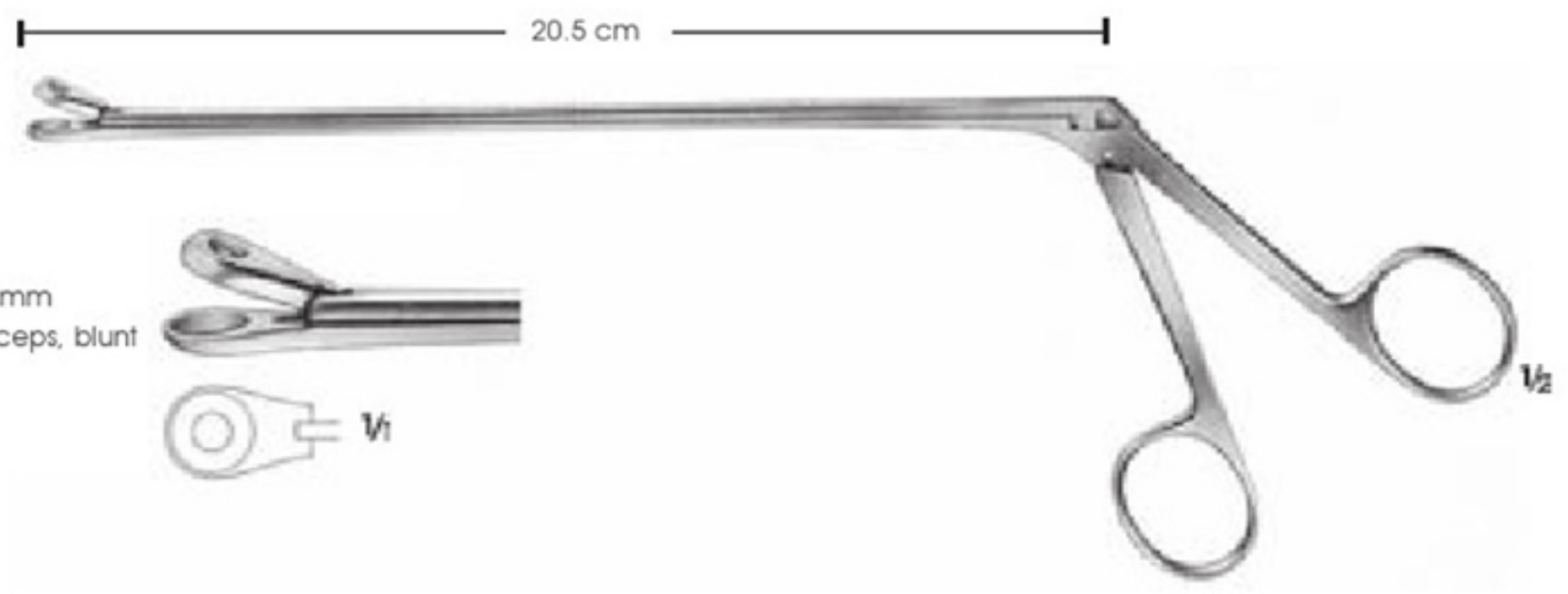
OLDBERG
EM-19-2947 Ø 7 mm



YASARGIL
EM-19-2948-01 Ø 2.2 mm
EM-19-2948-02 Ø 3.5 mm



LANDOLT
EM-19-2949 Ø 9 mm
Tumor grasping forceps, blunt

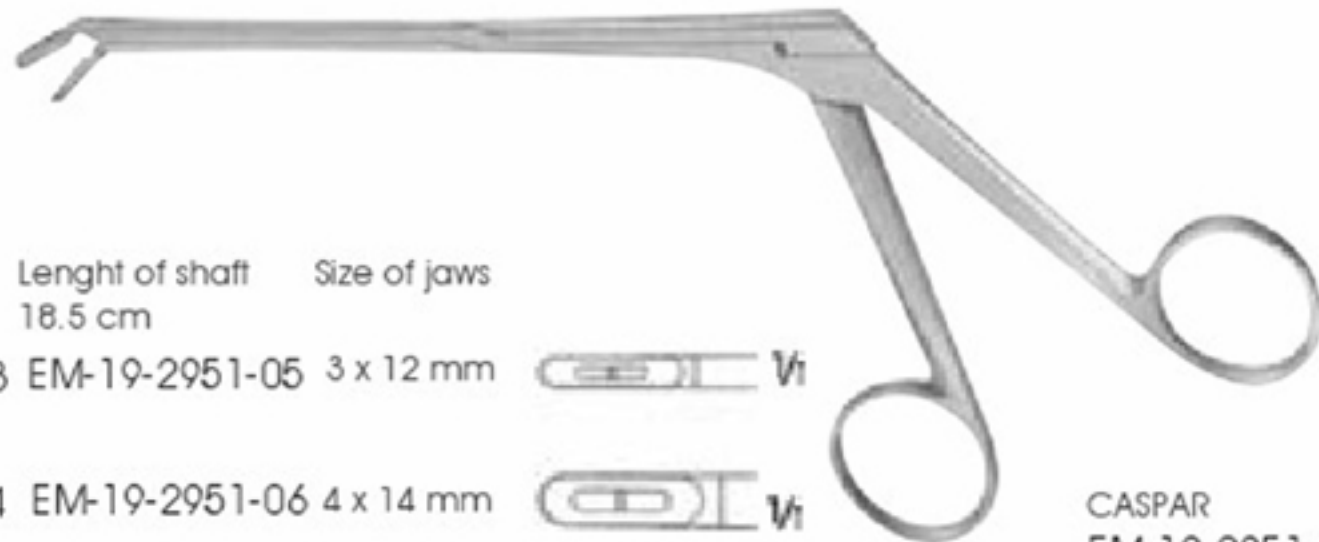


KRAMER
EM-19-2950 2.5 x 10 mm
With depth guard



Upper part of jaw movable

Length of shaft



Length of shaft	Length of shaft	Length of shaft	Size of jaws
14 cm	16 cm	18.5 cm	3 x 12 mm
EM-19-2951-01	EM-19-2951-03	EM-19-2951-05	3 x 12 mm
EM-19-2951-02	EM-19-2951-04	EM-19-2951-06	4 x 14 mm



CASPAR
EM-19-2951-01 - 2951-06

150°

Length of shaft

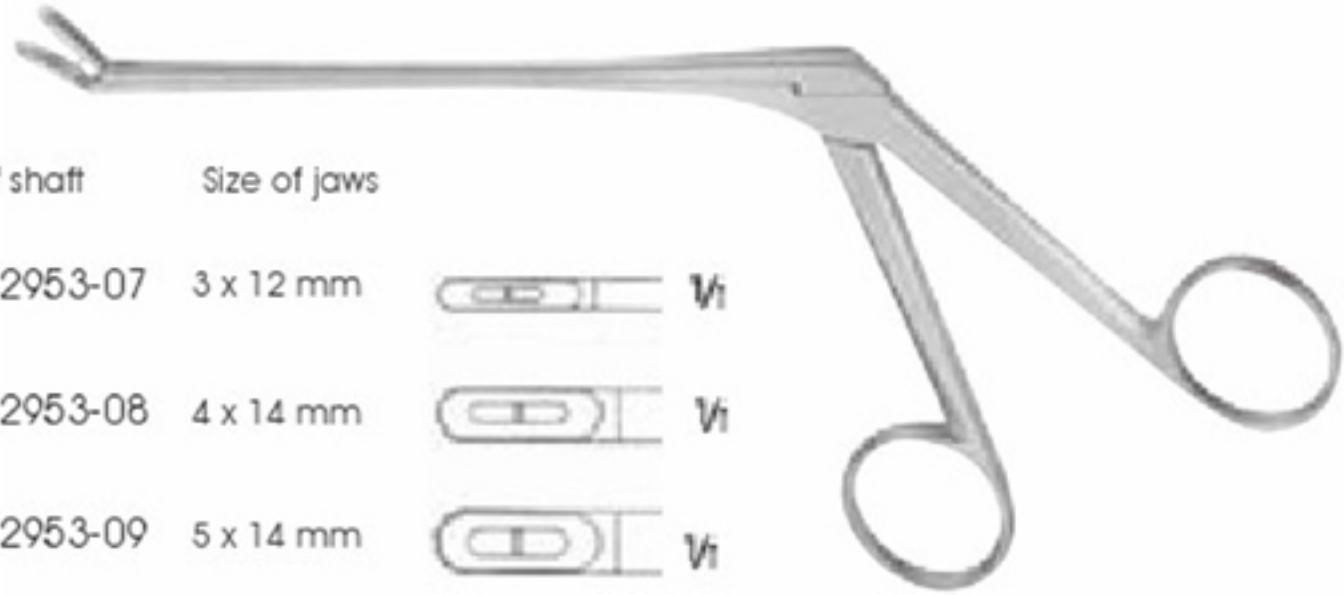


Length of shaft	Length of shaft	Length of shaft	Size of jaws
14 cm	16 cm	18.5 cm	
EM-19-2952-01	EM-19-2952-06	EM-19-2952-11	
EM-19-2952-02	EM-19-2952-07	EM-19-2952-12	3 x 12 mm
EM-19-2952-03	EM-19-2952-08	EM-19-2952-13	4 x 14 mm
EM-19-2952-04	EM-19-2952-09	EM-19-2952-14	5 x 14 mm
EM-19-2952-05	EM-19-2952-10	EM-19-2952-15	6 x 16 mm



CASPAR
EM-19-2952-01 - 2952-15

Length of shaft

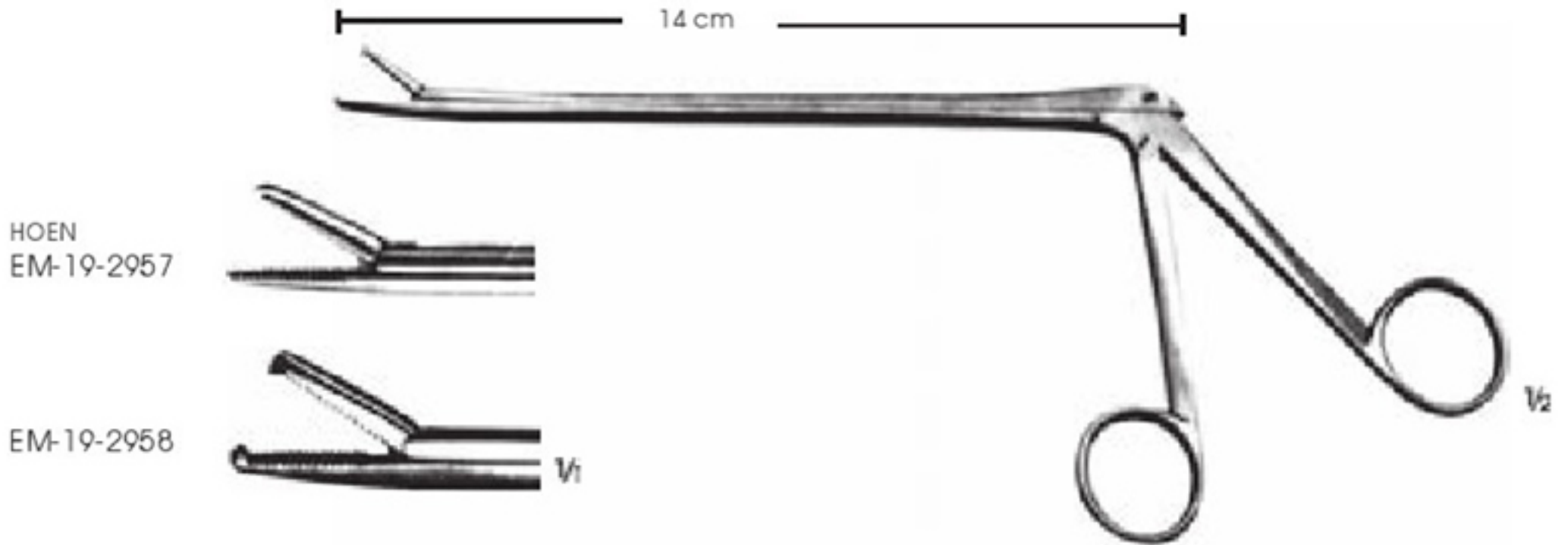
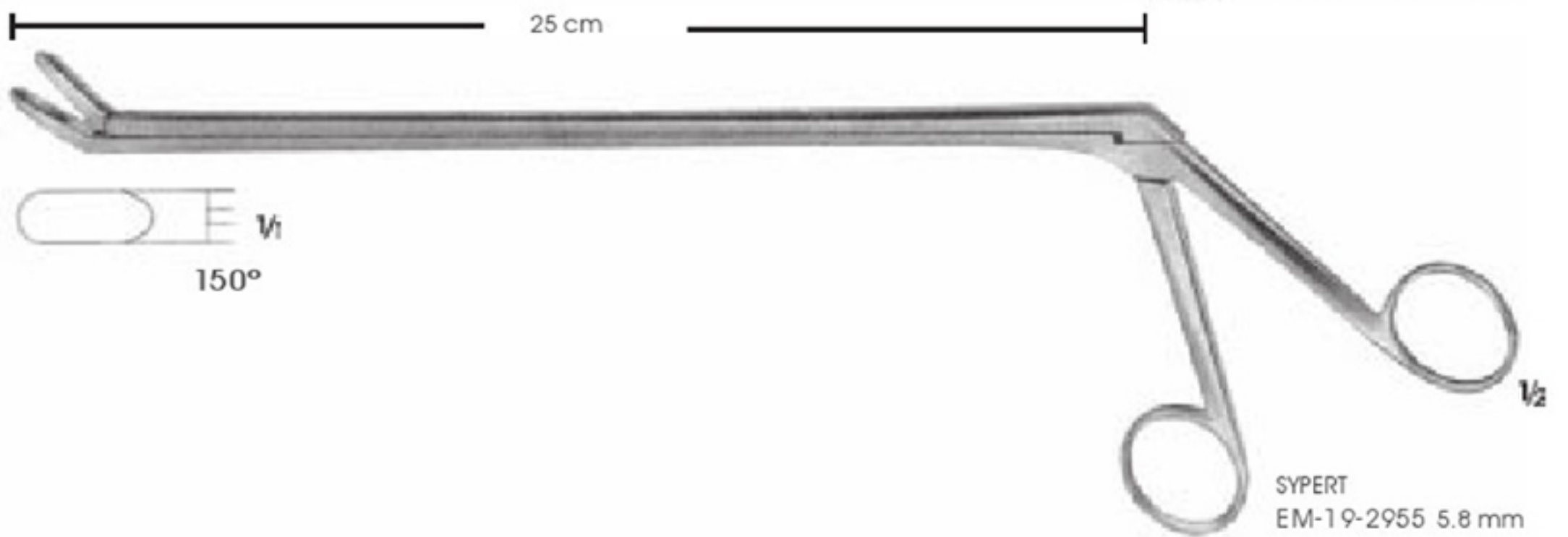
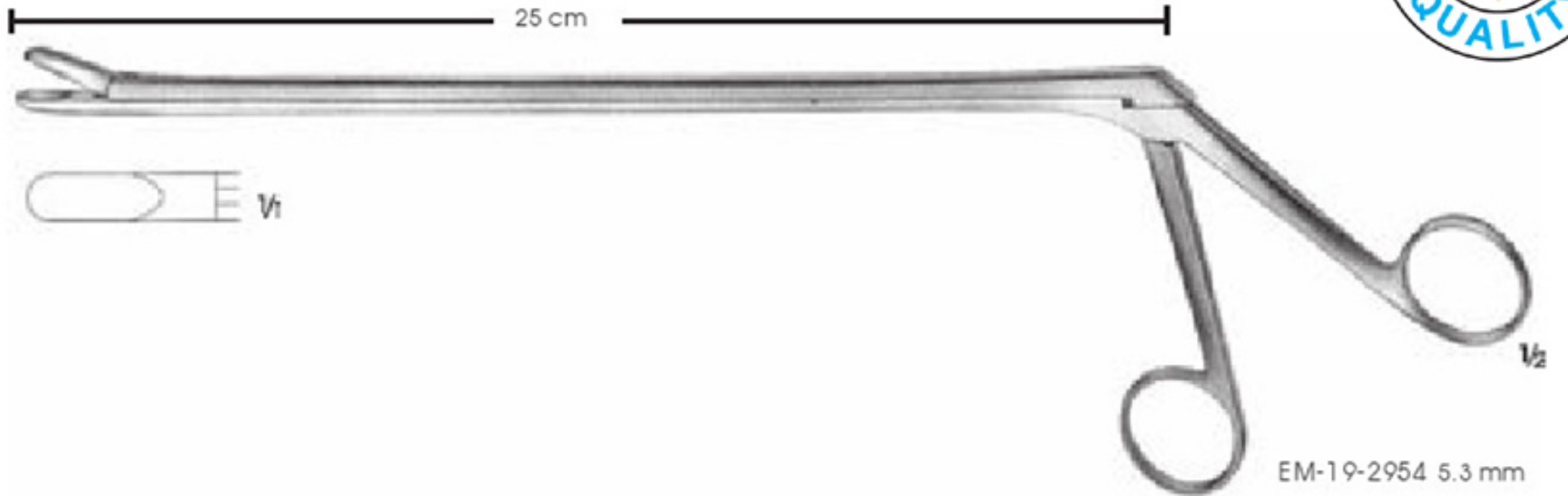


Length of shaft	Length of shaft	Length of shaft	Size of jaws
14 cm	16 cm	18.5 cm	
EM-19-2953-01	EM-19-2953-04	EM-19-2953-07	3 x 12 mm
EM-19-2953-02	EM-19-2953-05	EM-19-2953-08	4 x 14 mm
EM-19-2953-03	EM-19-2953-06	EM-19-2953-09	5 x 14 mm



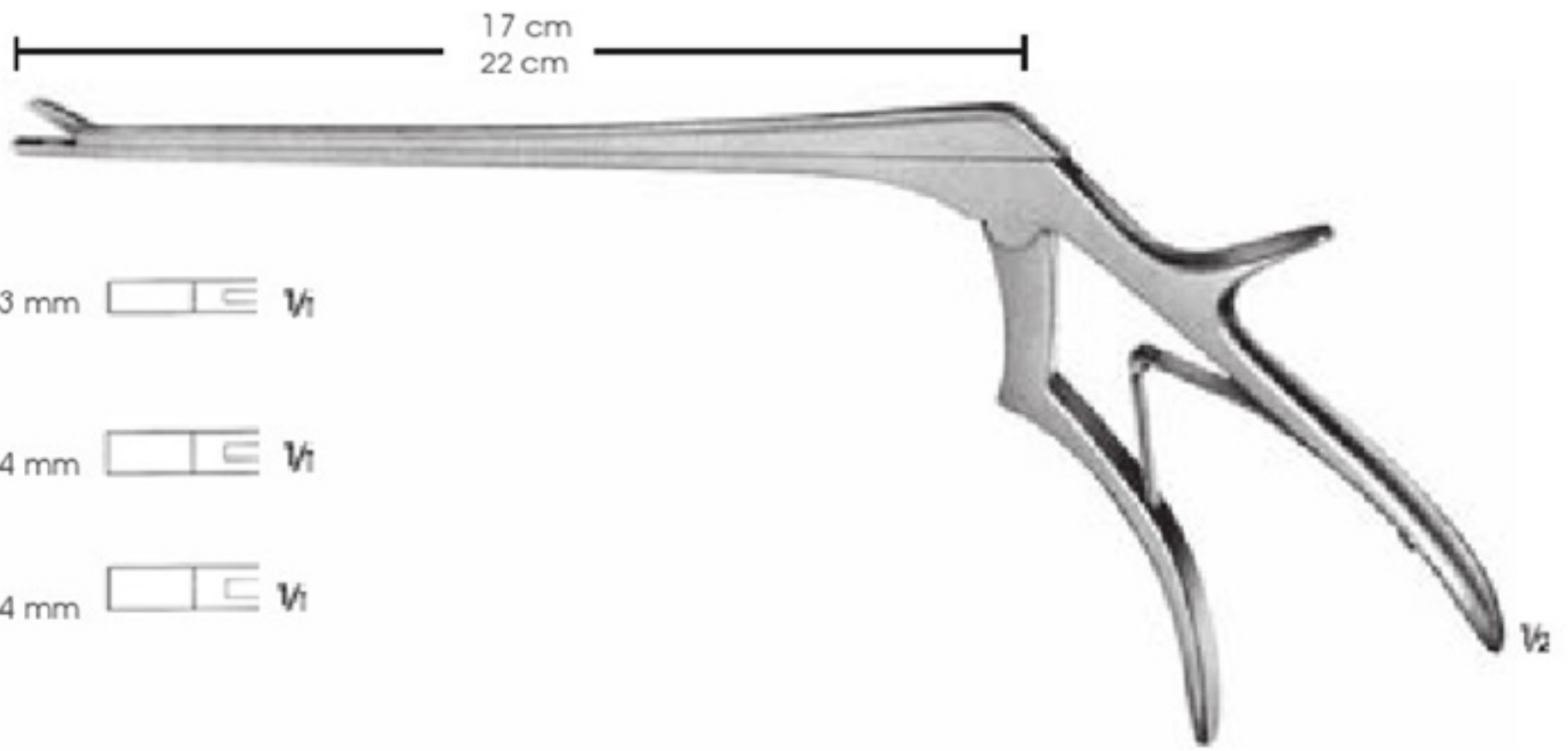
CASPAR
EM-19-2953-01 - 2953-09

150°





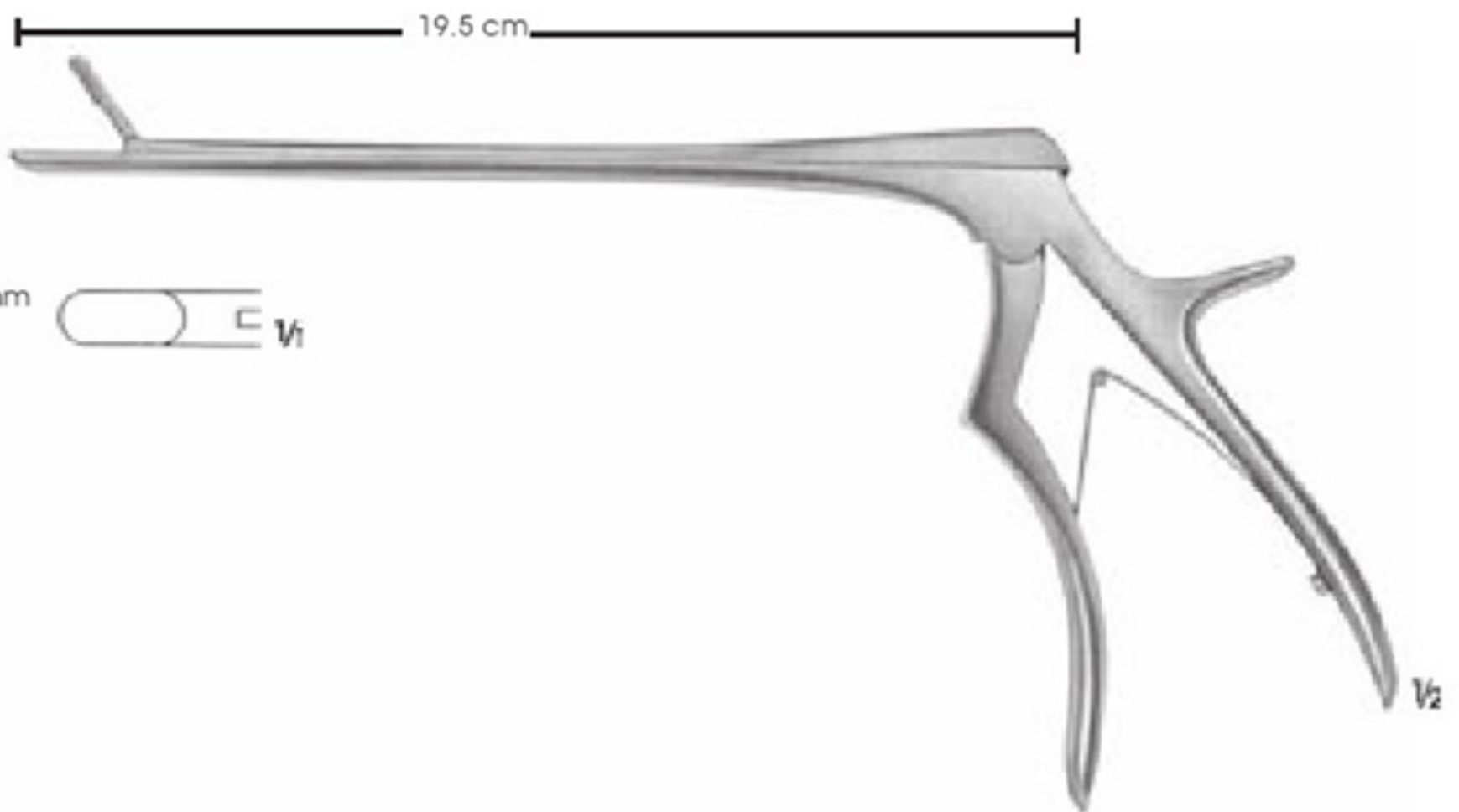
KRAMER
EM-19-2959 15 cm
With catch grasping forceps for
ligamentum flavum



CASPAR
EM-19-2960-01 3 mm 18 cm

CASPAR
EM-19-2960-02 4 mm 18 cm

CASPAR
EM-19-2960-03 4 mm 20.5 cm



WAGNER
EM-19-2961-01 5.5 mm