



EXPO-MED

Serving Health & Medical Division Since 1990

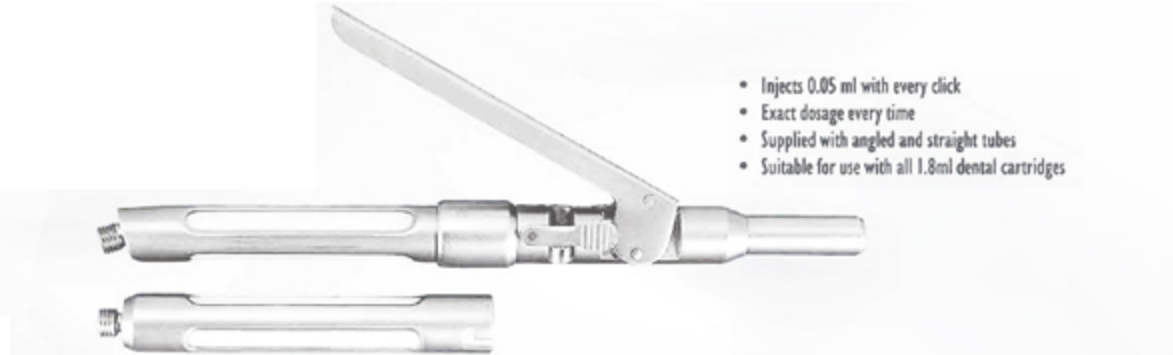
02

Anästhesie

Anesthesia

- Made of 18-8 stainless steel
- Longer life than brass syringes
- No chipping of chrome
- Guaranteed quality
- Sterilizable by any method

EM-6001
Metric Thread
1.8 ml.



- Injects 0.05 ml with every click
- Exact dosage every time
- Supplied with angled and straight tubes
- Suitable for use with all 1.8ml dental cartridges

EM-6002
Angled
Metric Thread
1.8 ml.



- Injects 0.06 ml with every click
- Exact dosage every time
- Suitable for use with all 1.8ml Dental cartridges

EM-6003
Straight
Metric Thread
1.8 ml.



EM-6004
Swedish Type
Metric Thread
1.8 ml.



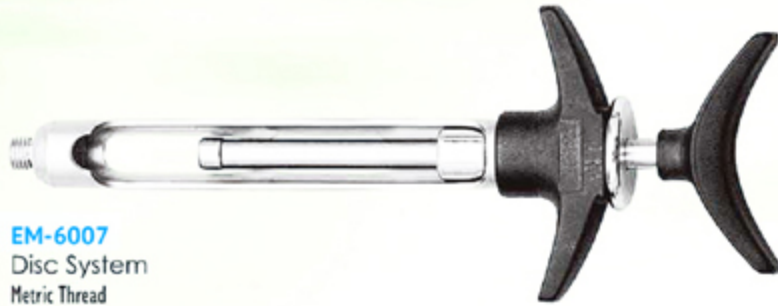
EM-6005
Pistol - Ject
Metric Thread
1.8 ml.



- Injects 0.20 ml with every click
- Exact dosage every time
- Lever action for high injection pressure
- Suitable for use with all 1.8ml dental cartridges

EM-6006
Autoclavable plastic protection tube





EM-6007
Disc System
Metric Thread
1.8 ml.

Disc System

Dual self aspiration system:

Disc system syringe has dual aspiration feature to achieve self aspiration.

Aspiration before injection:

Insert syringe in tissue and press Thumb disc to achieve aspiration.

Aspiration during injection:

Automatic aspiration occurs whenever pressure on the plunger is released.



EM-6008
Projection System
Metric Thread
1.8 ml.

Projection System

Aspiration during injection:

Automatic aspiration occurs whenever pressure on the plunger is released.



EM-6009
Type - A
Metric Thread
1.8 ml.

Dual aspiration system, self and manual aspirating syringes

During injection, aspiration can be achieved either manually by retracting the plunger backward or simply releasing pressure on plunger will produce self aspiration.



EM-6010
Type - C
Metric Thread
1.8 ml.



EM-6011
Quatro
Metric Thread
1.8 ml.

4 movable hooks securely holds the cartridge for safe aspiration, the syringe also has self aspiration feature.



EM-6012
Trio
Metric Thread
1.8 ml.

3 movable hooks securely holds the cartridge for safe aspiration, the syringe also has self aspiration feature.

EM-6013
Euro
Metric Thread
1.8 ml.



EM-6014
T - Handle
Metric Thread
1.8 ml.



EM-6015
3 - Ring
Metric Thread
1.8 ml.



EM-6016
Euro breech loading, ring handle
Metric Thread
1.8 ml.



EM-6017
Euro breech loading, T-handle
Metric Thread
1.8 ml.



Self Aspiration: How it works

During use, the thumb pressure on the plunger or thumb disc stretches the diaphragm over a small metal projection inside of the syringe nozzle, increasing pressure inside of the cartridge. As the thumb pressure is released, pressure inside the cartridge lessens and aspiration occurs automatically. (Instruction for use are supplied with the product)



EM-6018
Disc System
Metric Thread
1.8 ml.

Disc System

Dual self aspiration system:

Disc system syringe has dual aspiration feature to achieve self aspiration.

Aspiration before injection:

Insert syringe in tissue and press Thumb disc to achieve aspiration.

Aspiration during injection:

Automatic aspiration occurs whenever pressure on the plunger is released.



EM-6019
Projection System
Metric Thread
1.8 ml.

Projection System

Aspiration during injection:

Automatic aspiration occurs whenever pressure on the plunger is released.

Manual aspirating syringes



EM-6020
Type - A
Metric Thread
1.8 ml.



EM-6021
Euro
Metric Thread
1.8 ml.



2. Anästhesie · Anesthesia

Brass Series Syringes

- Made of brass
- Chrome plated
- All Brass series syringes have stainless steel plungers
- Guaranteed quality
- Sterilizable by any method

Intraligamental syringes

- Injects 0.20 ml with every click
- Exact dosage every time
- Lever action for high injection pressure
- Suitable for use with all 1.8ml dental cartridges



EM-6022
Pistol - Ject
Metric Thread
1.8 ml.



EM-6023
Swedish Type
Metric Thread
1.8 ml.

- Injects 0.06 ml with every click
- Exact dosage every time
- Suitable for use with all 1.8ml Dental cartridges

Self-aspirating syringe



EM-6024
Disc System
Metric Thread
1.8 ml.

Manual aspirating syringes



EM-6025
Type A
1.8 ml.



EM-6026
Type - C
Metric Thread
1.8 ml.



EM-6027
P-Ject
Metric Thread
1.8 ml.

Special aspiration tip for use with 1.8ml cartridges with hole.
(May also be used with traditional cartridges. (without aspiration).



EM-6028
Euro
Metric Thread
1.8 ml.



EM-6029
3 - Ring
Metric Thread
1.8 ml.



EM-6030
2 - Ring
Metric Thread
1.8 ml.



EM-6031
Euro breech loading, ring handle
Metric Thread
1.8 ml.



EM-6032
Euro breech loading, T - handle
Metric Thread
1.8 ml.